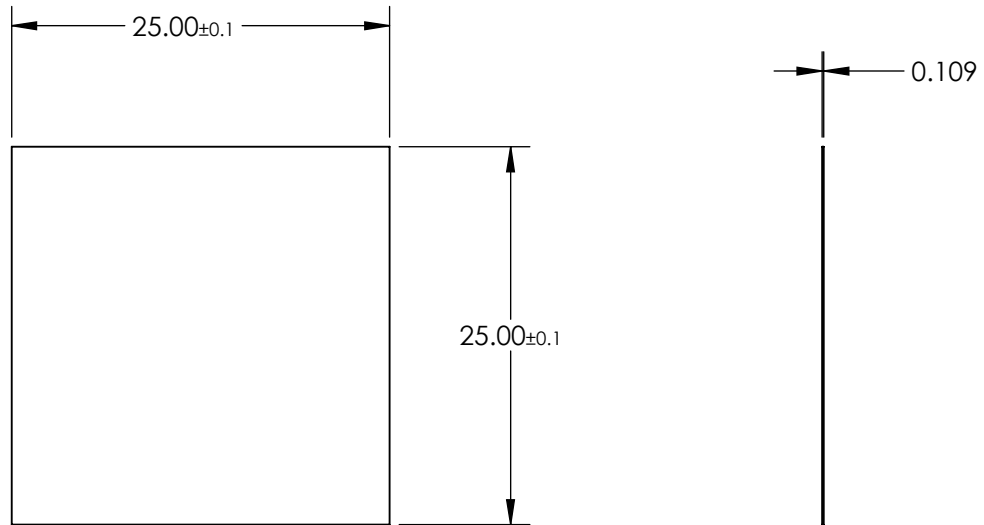
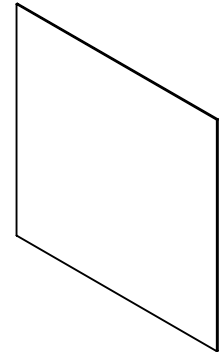


NOTES:

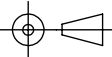
1. SUBSTRATE: CTA (CELLULOSE TRIACATE)
2. OPERATING TEMPERATURE: -20 to +70
3. WAVELENGTH RANGE: 400 - 700
4. EXTINCTION RATIO: 15,000:1 (NOMINAL)
5. TRANSMISSION, T_p (%): >42
6. ROHS COMPLIANT



**FOR INFORMATION ONLY:
DO NOT MANUFACTURE
PARTS TO THIS DRAWING**

SPECIFICATIONS SUBJECT TO CHANGE WITHOUT NOTICE
DIMENSIONS ARE FOR REFERENCE ONLY

EO® Edmund Optics®

THIRD ANGLE PROJECTION 		TITLE	25mm x 25mm, Ultra High Contrast Linear Polarizing Film	
ALL DIMS IN	mm	DWG NO	26918	SHEET 3 OF 6