

NOTES:

1. SUBSTRATE:
N-BK7

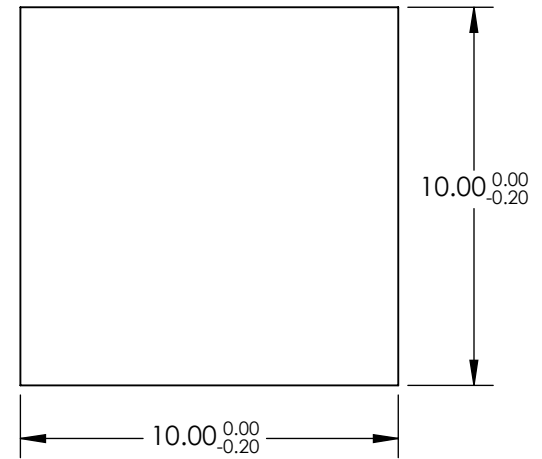
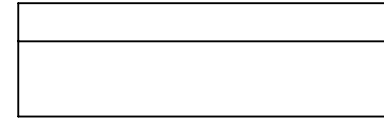
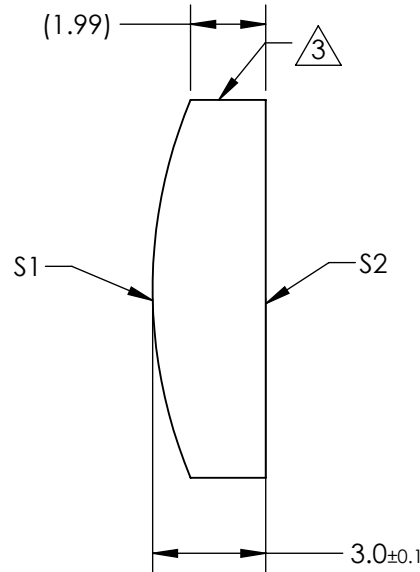
2. COATING (APPLY ACROSS CLEAR APERTURE)

S1 & S2: NONE

3. FINE GROUND SURFACE


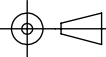
4. POWER, IRREGULARITY, AND SURFACE QUALITY SPECIFICATIONS APPLY ACROSS CLEAR APERTURE

5. ROHS COMPLIANT



**FOR INFORMATION ONLY:
DO NOT MANUFACTURE
PARTS TO THIS DRAWING**

SPECIFICATIONS SUBJECT TO CHANGE WITHOUT NOTICE
DIMENSIONS ARE FOR REFERENCE ONLY

	S1	S2	EFL	25.00	 Edmund Optics®	10mm H x 10mm L x 25mm FL Uncoated, Illumination Grade PCX Cylinder Lens	
SHAPE	CONVEX	PLANO	BFL	23.02			
RADIUS	12.92	∞	THIRD ANGLE PROJECTION 		TITLE		
SURFACE QUALITY	60 - 40	60 - 40					
CLEAR APERTURE	9.00 x 9.00	9.00 x 9.00	ALL DIMS IN	mm	DWG NO	25483	SHEET 1 OF 8
BEVEL	PROTECTED AS NEEDED	PROTECTED AS NEEDED					