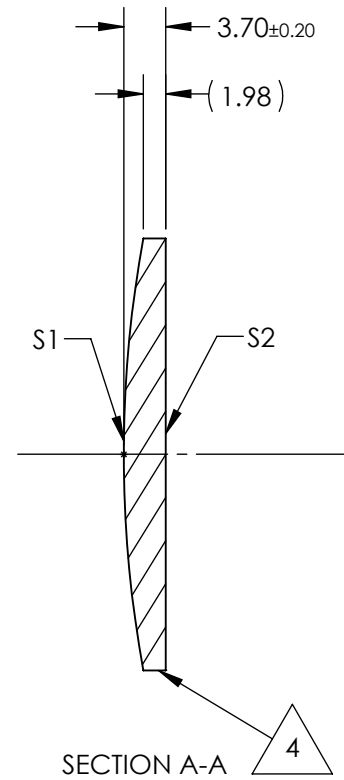
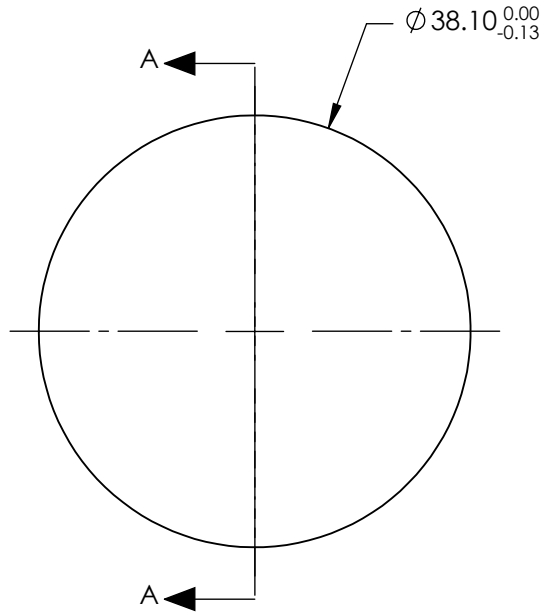


NOTES:

1. SUBSTRATE:
Zinc Selenide (ZnSe), CVD Grade
2. CENTERING TOLERANCE:
<3 ARCMIN
3. COATING (APPLY ACROSS CLEAR APERTURE)
S1 & S2: NONE
4. FINE GRIND SURFACE
5. FOCAL LENGTH TOLERANCE: ±2%
6. ROHS COMPLIANT



**FOR INFORMATION ONLY:
DO NOT MANUFACTURE
PARTS TO THIS DRAWING**

SPECIFICATIONS SUBJECT TO CHANGE WITHOUT NOTICE
DIMENSIONS ARE FOR REFERENCE ONLY

	S1	S2	EFL @ 10.6µm	75.0	 Edmund Optics®		
SHAPE	CONVEX	PLANO	BFL @ 10.6µm	74.14			
RADIUS	106.2	INFINITY			TITLE	38.1mm Dia. x 75mm FL, Uncoated, ISP Optics ZnSe Plano-Convex Lens	
IRREGULARITY AT 10.6µm	$\lambda/20$	$\lambda/20$			DWG NO	24952	SHEET 1 OF 1
SURFACE QUALITY	60-40	60-40	ALL DIMS IN	mm			
CLEAR APERTURE	$\phi 34.29$	$\phi 34.29$					
BEVEL	PROTECTED AS NEEDED	PROTECTED AS NEEDED					