

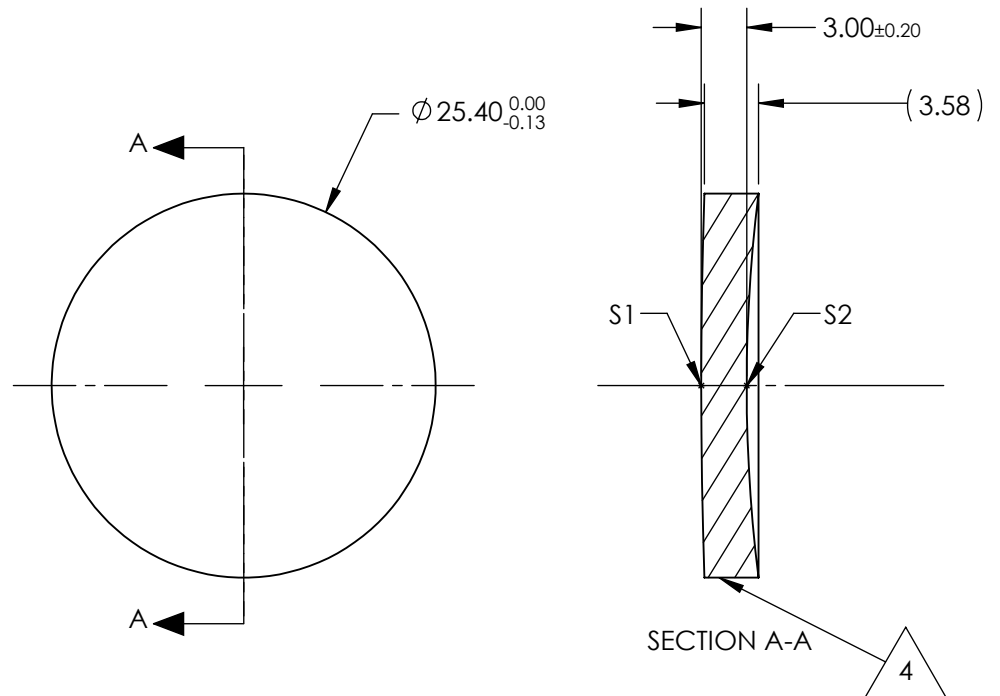
NOTES:

1. SUBSTRATE:  
Zinc Selenide (ZnSe), CVD Grade
2. CENTERING TOLERANCE:  
<3 ARCMIN
3. COATING (APPLY ACROSS CLEAR APERTURE)  
S1 & S2: NONE

4. FINE GRIND SURFACE

5. FOCAL LENGTH TOLERANCE: ±2%

6. ROHS COMPLIANT



**FOR INFORMATION ONLY:  
DO NOT MANUFACTURE  
PARTS TO THIS DRAWING**

	S1	S2
SHAPE	CONVEX	CONCAVE
RADIUS	414	104.24
IRREGULARITY AT 10.6µm	λ/20	λ/20
SURFACE QUALITY	60-40	60-40
CLEAR APERTURE	ø22.86	ø22.86
BEVEL	PROTECTED AS NEEDED	PROTECTED AS NEEDED

EFL @ 10.6µm	-100
BFL @ 10.6µm	-99.47
THIRD ANGLE PROJECTION	
ALL DIMS IN	mm

SPECIFICATIONS SUBJECT TO CHANGE WITHOUT NOTICE  
DIMENSIONS ARE FOR REFERENCE ONLY

Edmund Optics®

25.4mm Dia. x -100mm FL, Uncoated, ISP  
Optics Zinc Selenide (ZnSe) Negative  
Meniscus Lens

TITLE

DWG NO

24903

SHEET  
1 OF 1