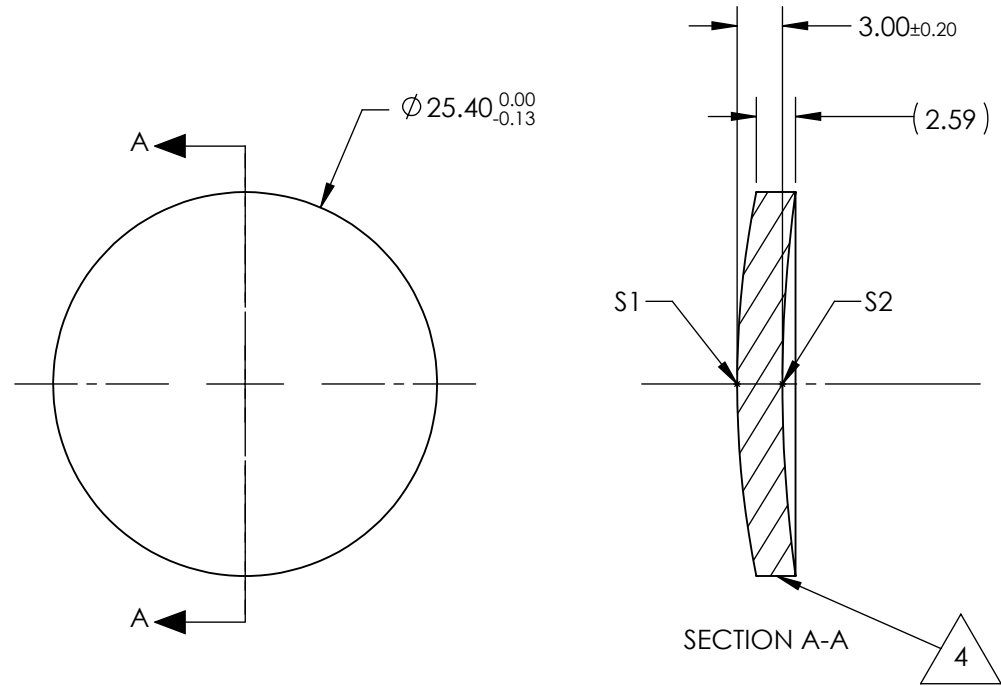

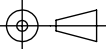


NOTES:

1. SUBSTRATE:  
Germanium (Ge)
2. CENTERING TOLERANCE:  
<3 ARCMIN
3. COATING (APPLY ACROSS CLEAR APERTURE)  
S1 & S2: NONE
4. FINE GRIND SURFACE
5. FOCAL LENGTH TOLERANCE: ±2%
6. ROHS COMPLIANT



**FOR INFORMATION ONLY:  
DO NOT MANUFACTURE  
PARTS TO THIS DRAWING**

	S1	S2	EFL @ 10.6μm	63.5	SPECIFICATIONS SUBJECT TO CHANGE WITHOUT NOTICE DIMENSIONS ARE FOR REFERENCE ONLY		
SHAPE	CONVEX	CONCAVE	BFL @ 10.6μm	60.1			 <b>Edmund Optics®</b> 25.4mm Dia. x 63.5mm FL, Uncoated, ISP Optics Germanium (Ge) Meniscus Lens
RADIUS	63.68	93.11	THIRD ANGLE PROJECTION		TITLE		
IRREGULARITY AT 10.6μm	λ/20	λ/20	ALL DIMS IN	mm	DWG NO	24828	SHEET 1 OF 1
SURFACE QUALITY	60-40	60-40					
CLEAR APERTURE	∅22.86	∅22.86					
BEVEL	PROTECTED AS NEEDED	PROTECTED AS NEEDED					