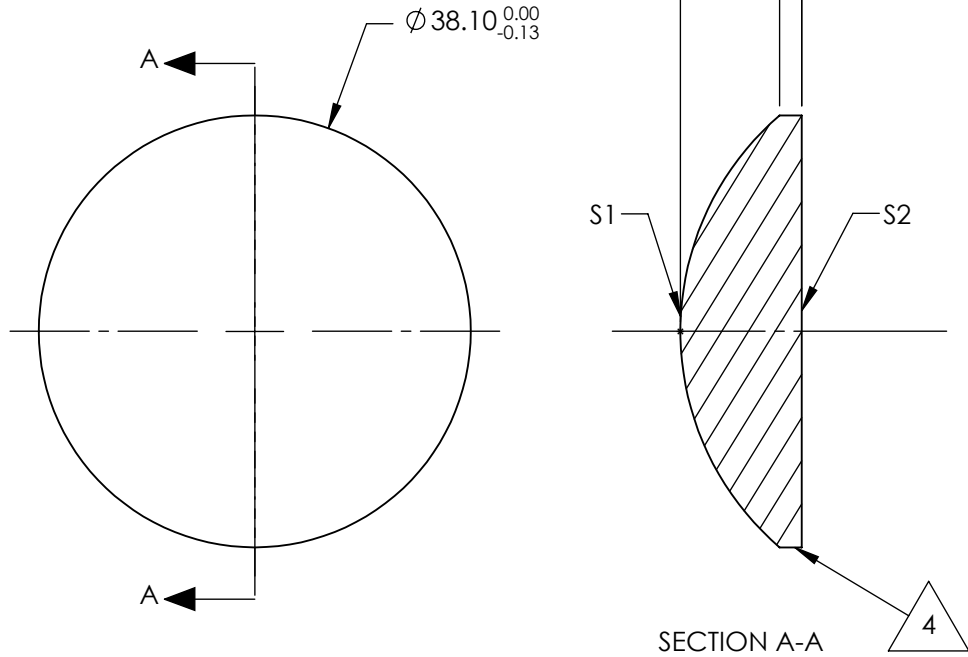



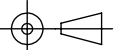
NOTES:

1. SUBSTRATE:  
Calcium Fluoride, IR Grade (CaF<sub>2</sub>)
2. CENTERING TOLERANCE:  
<3 ARCMIN
3. COATING (APPLY ACROSS CLEAR APERTURE)  
S1 & S2: NONE
4. FINE GRIND SURFACE
5. FOCAL LENGTH TOLERANCE: ±2%
6. ROHS COMPLIANT



**FOR INFORMATION ONLY:  
DO NOT MANUFACTURE  
PARTS TO THIS DRAWING**

SPECIFICATIONS SUBJECT TO CHANGE WITHOUT NOTICE  
DIMENSIONS ARE FOR REFERENCE ONLY

	S1	S2	EFL @ 5µm	63.5	 <b>Edmund Optics®</b>	
SHAPE	CONVEX	PLANO	BFL @ 5µm	55.27		
RADIUS	25.1	INFINITY			TITLE	38.1mm Dia. x 63.5mm FL, Uncoated, ISP Optics Calcium Fluoride (CaF <sub>2</sub> ) PCX Lens
IRREGULARITY AT 632.8nm	λ	λ			ALL DIMS IN	mm
SURFACE QUALITY	60-40	60-40				SHEET 1 OF 1
CLEAR APERTURE	ø34.29	ø34.29				
BEVEL	PROTECTED AS NEEDED	PROTECTED AS NEEDED				