

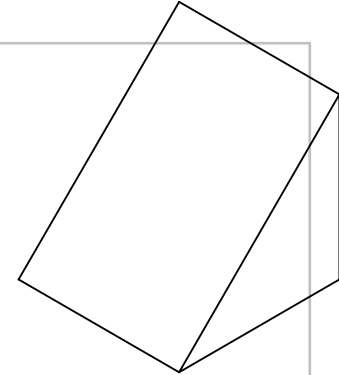
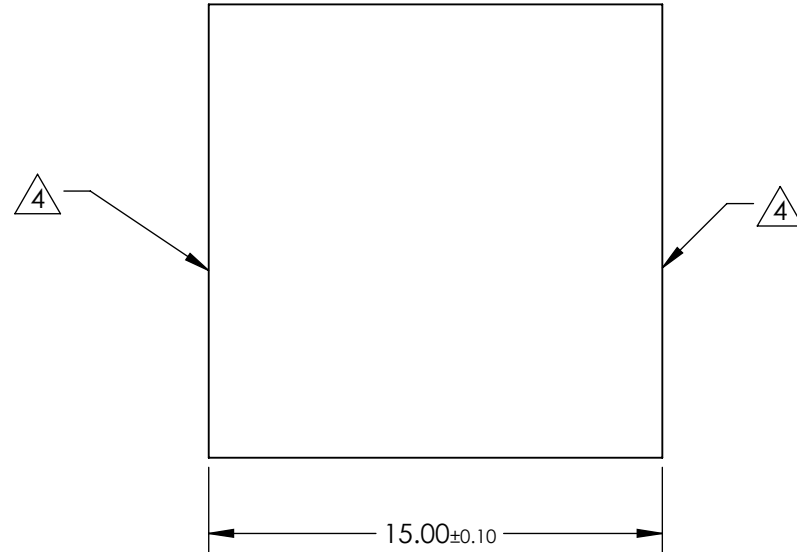
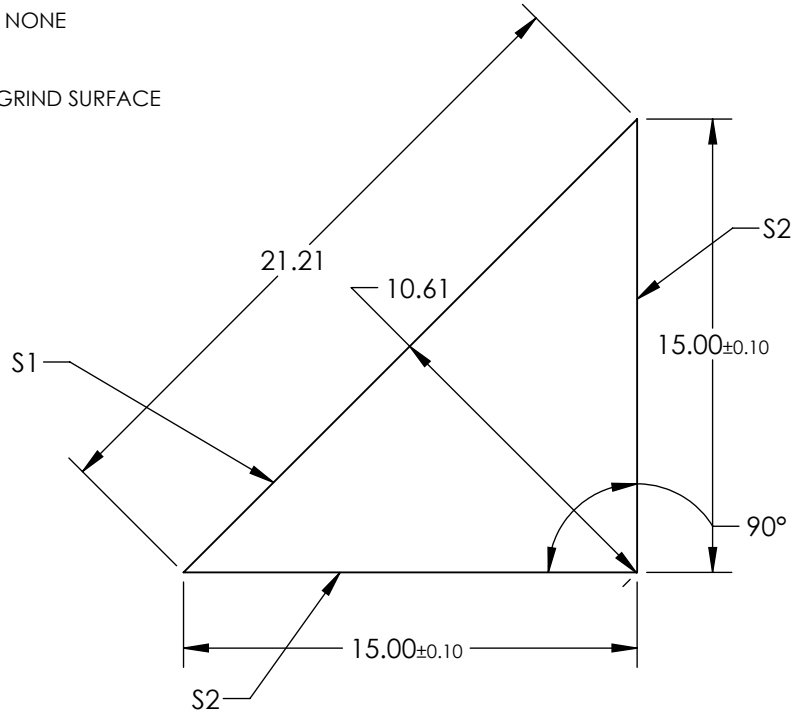
NOTES:

1. SUBSTRATE: N-BK7
2. ROHS COMPLIANT
3. COATING (APPLY ACROSS CLEAR APERTURE)

S1: Ravg >85% @ 250 - 700nm;  
 Ravg >89% @ 250 - 450nm

S2: NONE

 4. FINE GRIND SURFACE



**FOR INFORMATION ONLY:  
 DO NOT MANUFACTURE  
 PARTS TO THIS DRAWING**

SPECIFICATIONS SUBJECT TO CHANGE WITHOUT NOTICE  
 DIMENSIONS ARE FOR REFERENCE ONLY

	S1	S2
SHAPE	PLANO	PLANO
ANGLE TOL. (arcmin)	±2	±2
SURFACE QUALITY	60-40	60-40
SURFACE FLATNESS	λ/4	λ/4
BEVEL	PROTECTED AS NEEDED	PROTECTED AS NEEDED

THIRD ANGLE PROJECTION 

ALL DIMS IN

mm

 **Edmund Optics®**

TITLE

15mm UV-Enhanced Aluminum Coated, N-BK7 Right Angle Prism

DWG NO

24180

SHEET  
6 OF 13