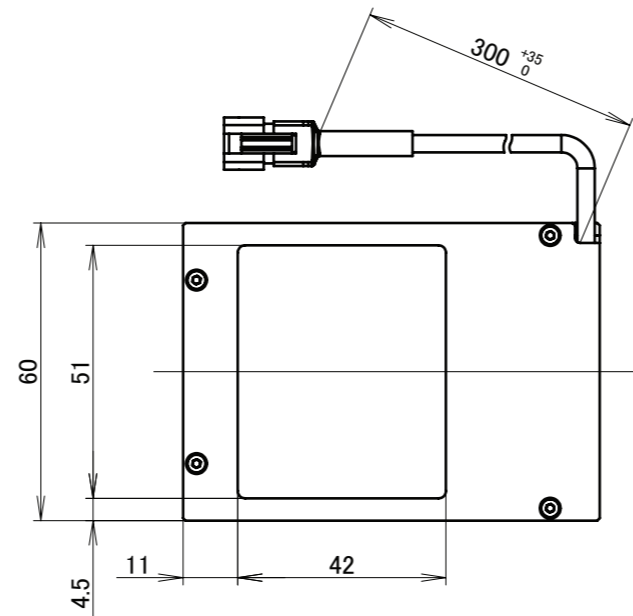


LFV3-G-50SW



| | |
|-------------------------|--------------------|
| Model name | LFV3-G-50SW |
| LED color | White |
| Input voltage | 24 VDC |
| Power consumption(max.) | 17 W |
| Weight(max.) | 285 g |
| Connector | SMR-03V-B |
| Polarity and signal | 1:(+), 2:NC, 3:(-) |

Unit: mm

