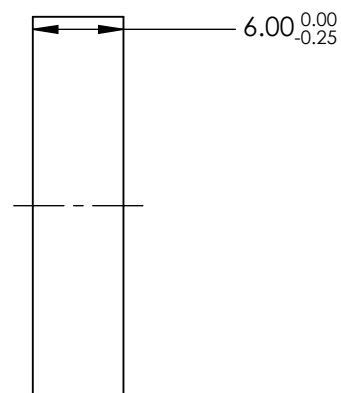
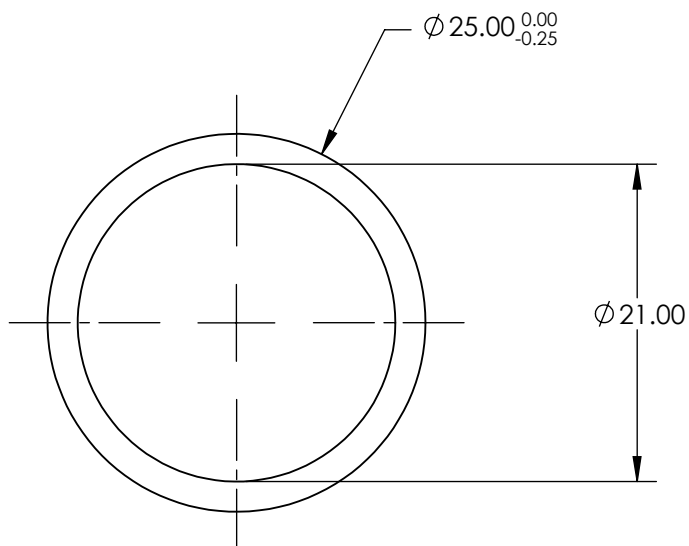
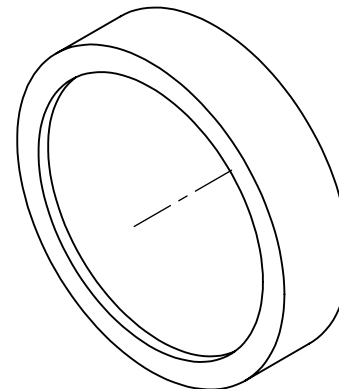


**FOR INFORMATION ONLY:  
DO NOT MANUFACTURE  
PARTS TO THIS DRAWING**



SPECIFICATIONS SUBJECT TO CHANGE WITHOUT NOTICE  
DIMENSIONS ARE FOR REFERENCE ONLY

	VALUE
CENTER WAVELENGTH (nm)	532.00
FULL WIDTH HALF MAX (nm)	1.00
MINIMUM TRANSMISSION (%)	>50
CLEAR APERTURE (mm)	21.00
SUBSTRATE	SODA LIME GLASS & FILTER GLASS

**EO**® **Edmund Optics**®



ALL DIMS IN mm

TITLE

532nm CWL, 1.00 FWHM, 25mm Dia. Ultra  
Narrow Filter

DWG NO

21-388

SHEET  
7 OF 14