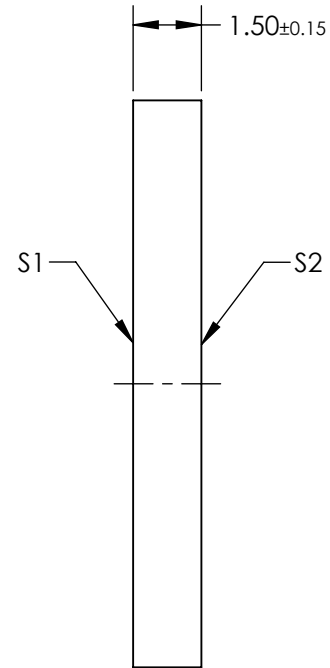
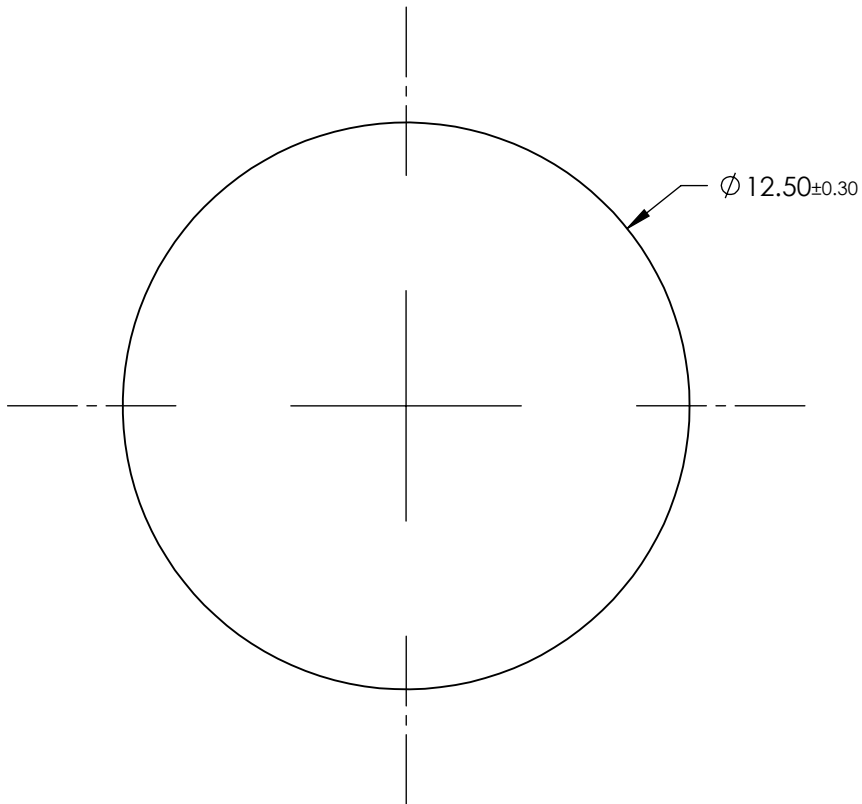
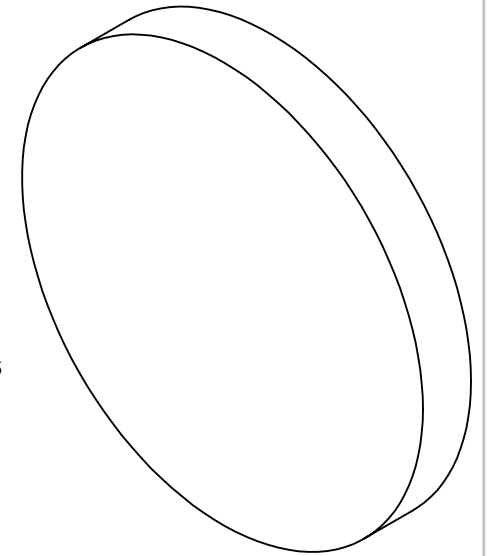


NOTES:

1. SUBSTRATE:  
THERMOSET ADC (CR-39®)
2. ROHS COMPLIANT



SPECIFICATIONS SUBJECT TO CHANGE WITHOUT NOTICE  
DIMENSIONS ARE FOR REFERENCE ONLY

**FOR INFORMATION ONLY:  
DO NOT MANUFACTURE  
PARTS TO THIS DRAWING**

**EO**® Edmund Optics®

	S1	S2
SHAPE	PLANO	PLANO
BEVEL	PROTECTED AS NEEDED	PROTECTED AS NEEDED

THIRD ANGLE PROJECTION	
ALL DIMS IN	mm

TITLE	12.5mm Diameter, Optical Cast Plastic Window	
DWG NO	19824	SHEET 1 OF 1