

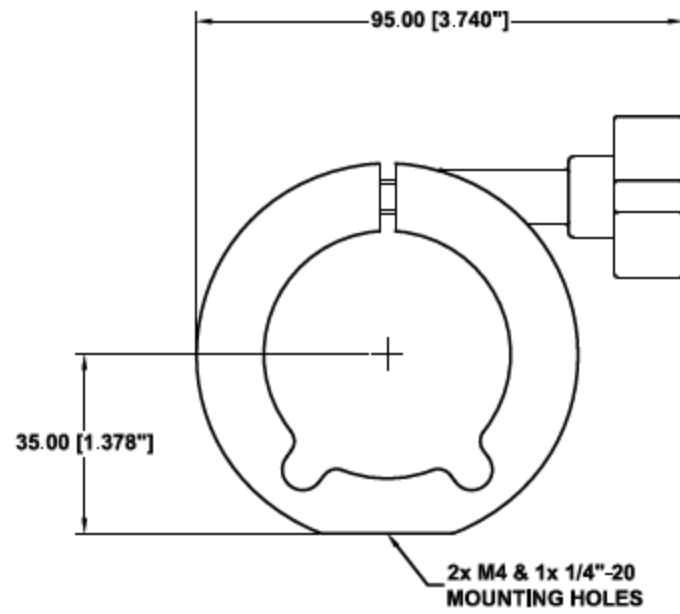
4

3

2

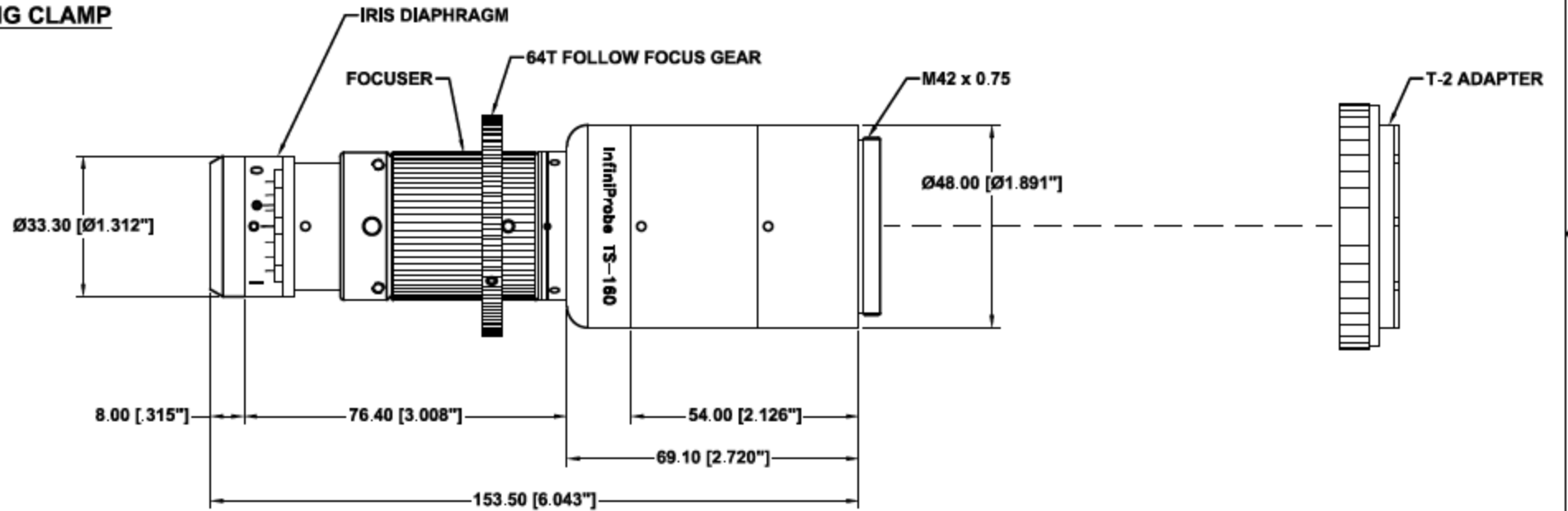
1

REVISIONS				
ZONE	REV	DESCRIPTION	DATE	APPROVED



**OPTIONAL LARGE MOUNTING CLAMP**

2x M4 & 1x 1/4"-20 MOUNTING HOLES



**INFINIPROBE™ TS-160 ROBUSTO-LITE MAIN BODY WITH MACRO OBJECTIVE**

This drawing is for informational purposes only. No other rights or privileges are granted or implied.

ALL DIM ARE mm [inches] AND ARE FOR REFERENCE ONLY AND ARE SUBJECT TO CHANGE.

**INFINITY** Photo-Optical Company  
2530 Frontier Ave., Boulder, CO 80301  
303/440-4544 Fax 303/440-4144

**INFINIPROBE™ TS-160 ROBUSTO LITE w/MACRO FOR UP TO 35mm FORMATS**

Date: 12/21/20 MB	SIZE C	FSCM NO.	DWG NO.	REV -
Modified:	SCALE NONE	-	SHEET 1 OF 1	

4

3

2

1