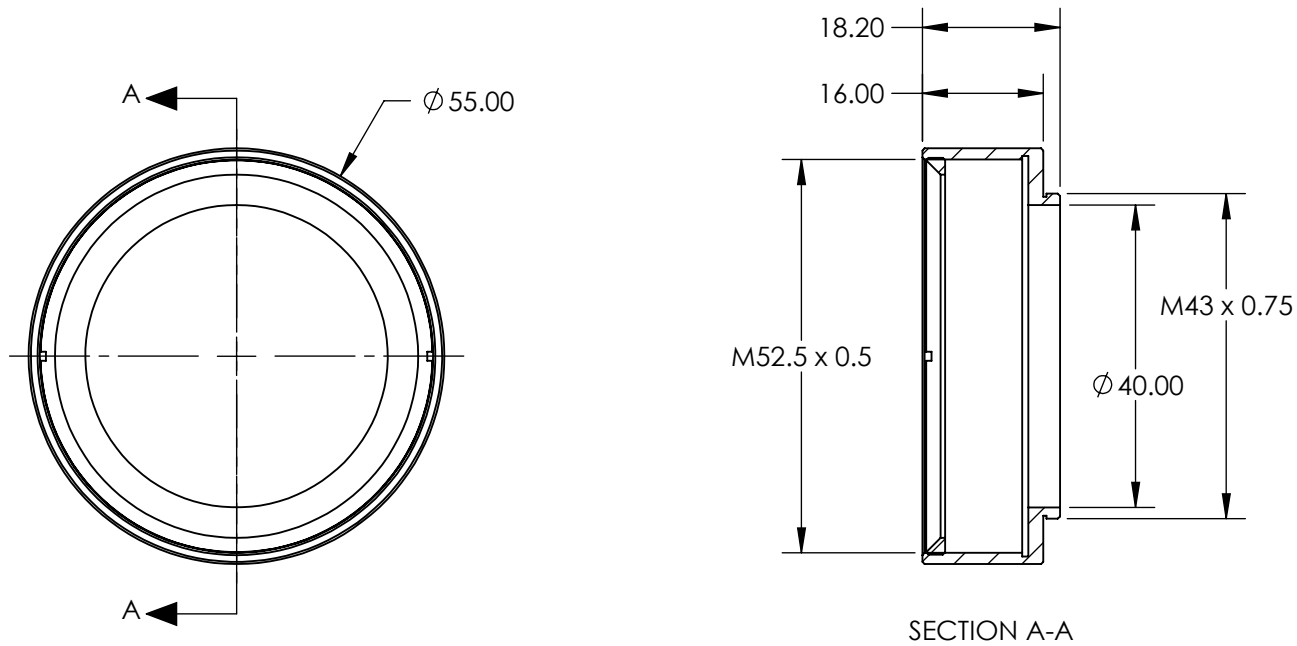
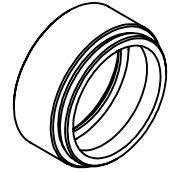


NOTES:

1. MATERIAL: BLACK ANODIZED ALUMINUM
2. ROHS COMPLIANT

**FOR INFORMATION ONLY:
DO NOT MANUFACTURE
PARTS TO THIS DRAWING**



SPECIFICATIONS SUBJECT TO CHANGE WITHOUT NOTICE
DIMENSIONS ARE FOR REFERENCE ONLY

EO[®] **Edmund Optics**[®]

THIRD ANGLE PROJECTION		TITLE	M43 x 0.75 Mount for 50/50.8mm Diameter Filters	
ALL DIMS IN	mm	DWG NO	12789	SHEET 1 OF 1