
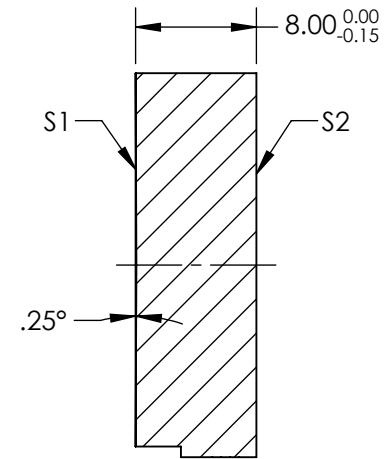
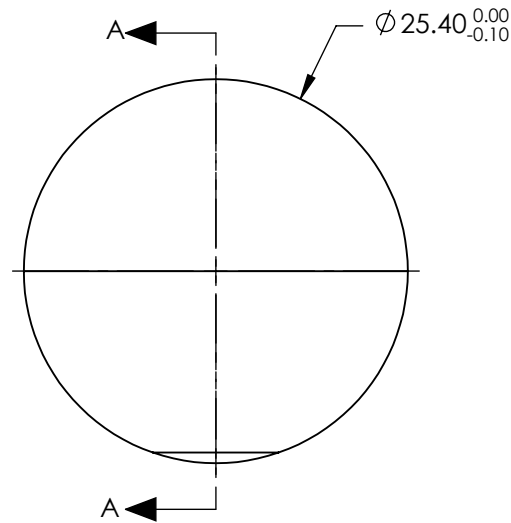


NOTES:

1. SUBSTRATE: ALUMINUM
2. COATING (APPLY ACROSS COATING APERTURE)
S1: R(ABS) > 99% @ 1000 - 1100nm
S2: NONE
3.  FINE GRIND SURFACE
4. OFF-AXIS ANGLE(°): 30
5. REFLECTED WAVEFRONT ERROR, P-V: < $\lambda/10$
6. SURFACE ROUGHNESS: < 4nm RMS
7. RoHS: COMPLIANT



SECTION A-A

**FOR INFORMATION ONLY:
DO NOT MANUFACTURE
PARTS TO THIS DRAWING**

SPECIFICATIONS SUBJECT TO CHANGE WITHOUT NOTICE
DIMENSIONS ARE FOR REFERENCE ONLY

 **Edmund Optics®**

	S1	S2
SHAPE	AXICON	PLANO
SURFACE QUALITY	40 - 20	N/A
CLEAR APERTURE	Ø22.86	N/A
BEVEL	PROTECTIVE AS NEEDED	PROTECTIVE AS NEEDED



ALL DIMS IN

mm

TITLE

0.25° AXICON ANGLE, 1000 - 1100°, OFF-AXIS REFLECTIVE AXICON

DWG NO

14566

SHEET
1 OF 1