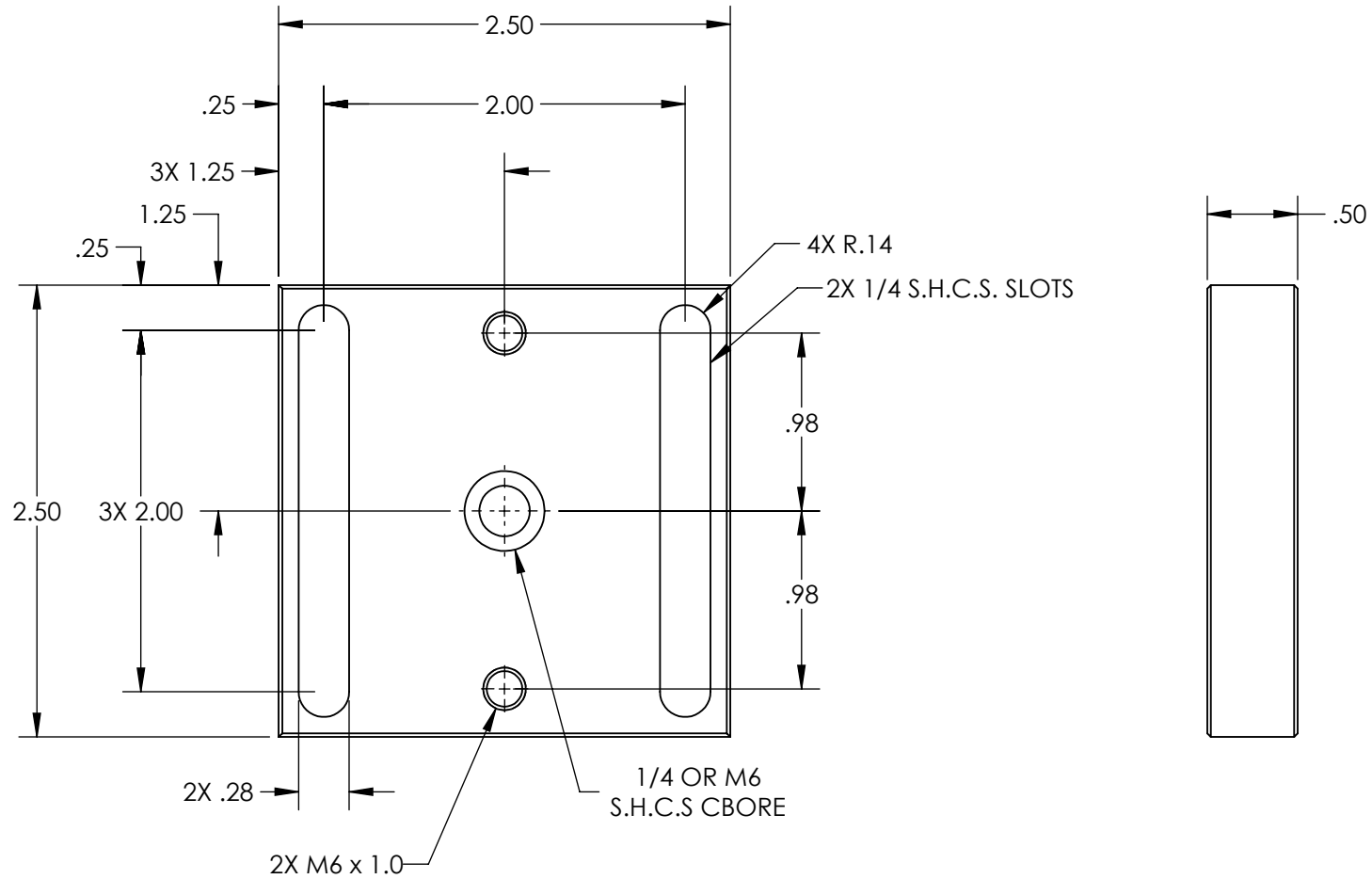
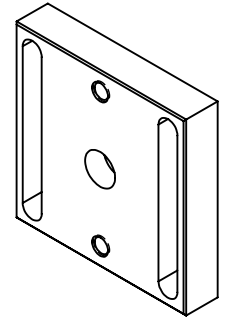


NOTES:

1. MATERIAL: BLACK ANODIZED ALUMINUM
2. RoHS: COMPLIANT



SPECIFICATIONS SUBJECT TO CHANGE WITHOUT NOTICE
 DIMENSIONS ARE FOR REFERENCE ONLY

**FOR INFORMATION ONLY:
 DO NOT MANUFACTURE
 PARTS TO THIS DRAWING**



THIRD ANGLE PROJECTION		TITLE	2.5" SQUARE METRIC/ENGLISH ADAPTER	
ALL DIMS IN	in	DWG NO	55383	SHEET 1 OF 1