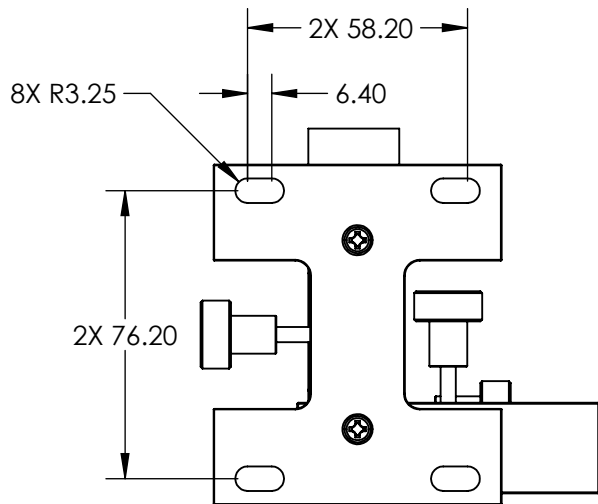
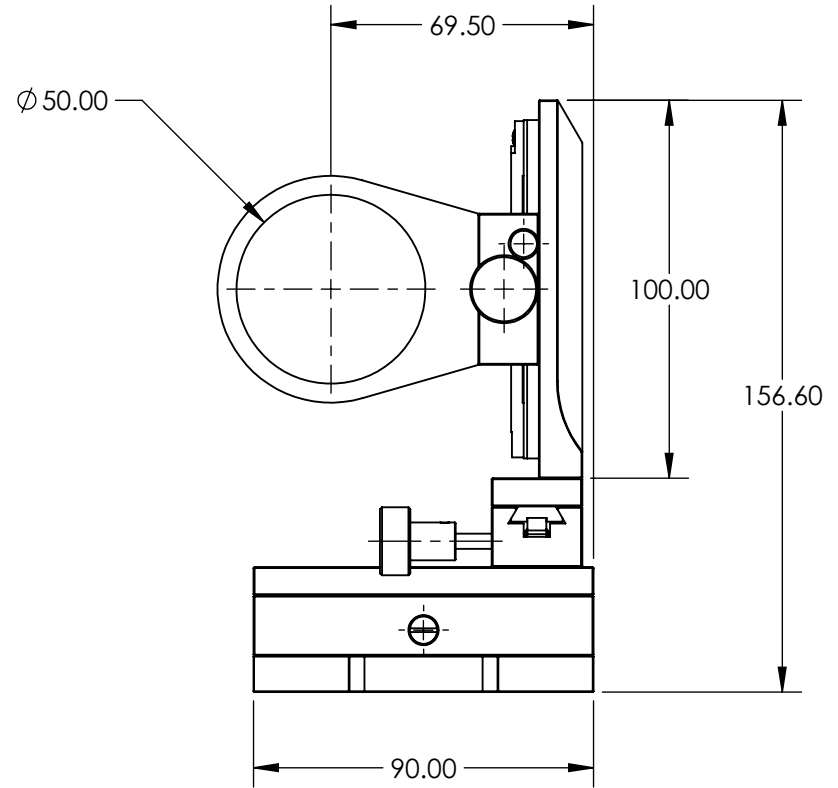
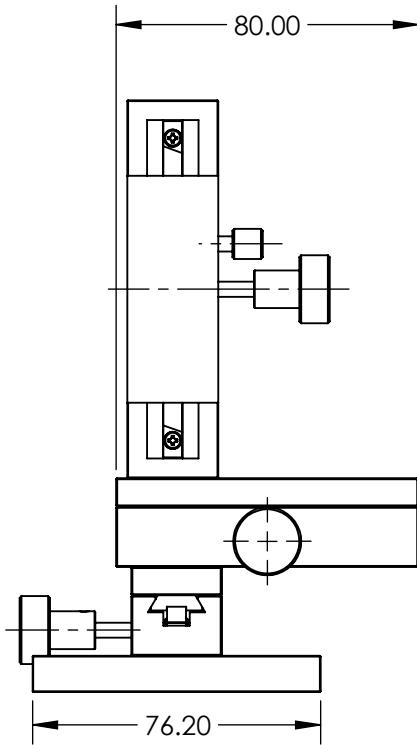


NOTES:

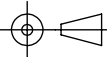
1. RoHS: COMPLIANT



**FOR INFORMATION ONLY:
DO NOT MANUFACTURE
PARTS TO THIS DRAWING**

SPECIFICATIONS SUBJECT TO CHANGE WITHOUT NOTICE
DIMENSIONS ARE FOR REFERENCE ONLY

EO® Edmund Optics®

THIRD ANGLE PROJECTION 		TITLE	50mm DIAMETER, X-Y-Z POSITIONING MOVEMENT	
ALL DIMS IN	mm	DWG NO	03607	SHEET 1 OF 1