
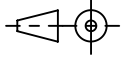
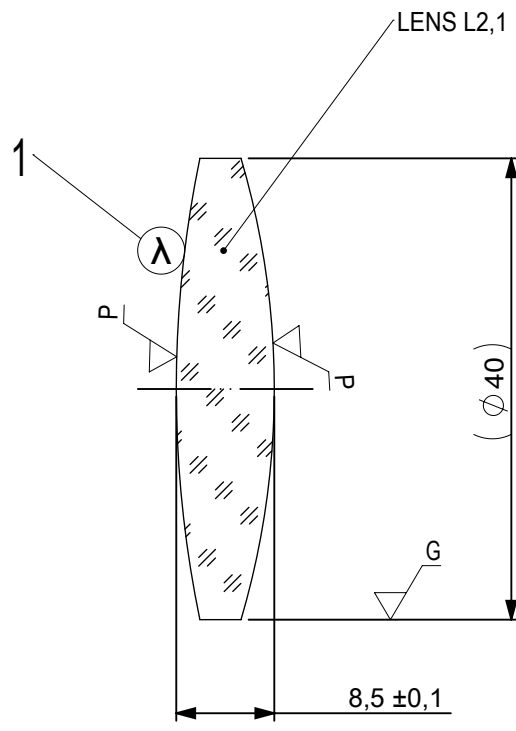


FOCAL LENGTH (EFL): $160 \pm 1,6$
 BACK FOCAL LENGTH (BFL): 154,1

SURFACE A	SURFACE B	SURFACE C
$\varnothing e 39$	$\varnothing e 39$	$\varnothing e 39$
CEMENT: NOA 61 OR EQUIVALENT		

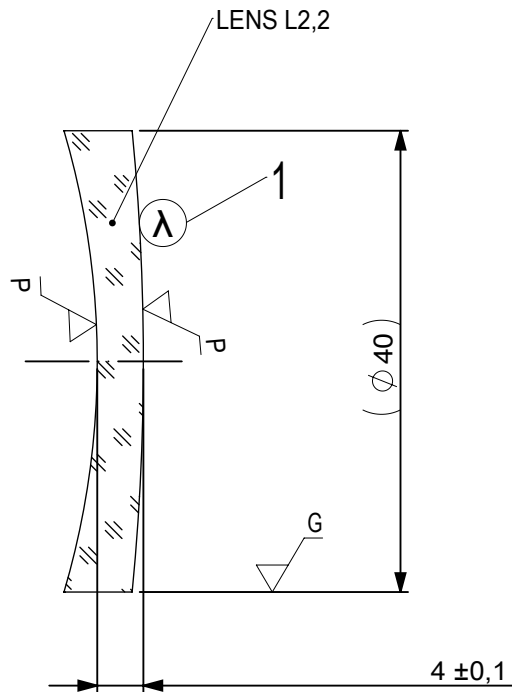
PROTECTIVE CHAMFERS AS NEEDED		FIRST ANGLE PROJECTION	 Edmund Optics[®]	
ROHS: COMPLIANT	SCALE: NONE $\lambda = 587,6\text{nm}$			
SPECIFICATIONS SUBJECT TO CHANGE WITHOUT NOTICE. DIMENSIONS ARE FOR REFERENCE ONLY			TITLE	40mm Dia x 160mm FL, YAG-BBAR Coated, Achromatic Lens
FOR INFORMATION ONLY: DO NOT MANUFACTURE PARTS TO THIS DRAWING			ALL DIMS IN: mm	DWG NO
INDICATIONS IN ACCORDANCE WITH ISO 10110			SHEET SIZE	A4
				SHEET 1 OF 3



1 AR COATING: YAG-BBAR
 R(ABS) < 0,25% @ 532nm @ 0° AOI
 R(ABS) < 0,25% @ 1064nm @ 0° AOI
 R(AVG) < 1,0% FROM 500-1100nm @ 0° AOI

LEFT SURFACE	MATERIAL	RIGHT SURFACE
R 98,66±0,099 CX Øe 39 3/ 3 (0,5) λ=632,8 nm 4/ - 5/ 40 - 20 (MIL-PRF-13830B) 6/ -	GLASS N-BK7 517/642	R 70,73±0,071 CX Øe 39 3/ 3 (0,5) λ=632,8 nm 4/ - 5/ 40 - 20 (MIL-PRF-13830B) 6/ -

PROTECTIVE CHAMFERS AS NEEDED		FIRST ANGLE PROJECTION	Edmund Optics®			
ROHS: COMPLIANT	SCALE: NONE λ = 587,6nm					
SPECIFICATIONS SUBJECT TO CHANGE WITHOUT NOTICE. DIMENSIONS ARE FOR REFERENCE ONLY			TITLE	40mm Dia x 160mm FL, YAG-BBAR Coated, Achromatic Lens		
FOR INFORMATION ONLY: DO NOT MANUFACTURE PARTS TO THIS DRAWING			ALL DIMS IN:	mm	DWG NO	
INDICATIONS IN ACCORDANCE WITH ISO 10110				11732	SHEET SIZE A4	SHEET 2 OF 3



- 1 AR COATING: YAG-BBAR
 R(ABS) < 0,25% @ 532nm @ 0° AOI
 R(ABS) < 0,25% @ 1064nm @ 0° AOI
 R(AVG) < 1,0% FROM 500-1100nm @ 0° AOI

LEFT SURFACE	MATERIAL	RIGHT SURFACE
R 70,73±0,071 CV	GLASS N-SF5 673/322	R 205,72±0,206 CX
Øe 39		Øe 39
3/ 3 (0,5) λ=632,8 nm		3/ 3 (0,5) λ=632,8 nm
4/ -		4/ -
5/ 40 - 20 (MIL-PRF-13830B)		5/ 40 - 20 (MIL-PRF-13830B)
6/ -		6/ -

PROTECTIVE CHAMFERS AS NEEDED

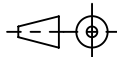
ROHS: COMPLIANT SCALE: NONE λ = 587,6nm

SPECIFICATIONS SUBJECT TO CHANGE WITHOUT NOTICE. DIMENSIONS ARE FOR REFERENCE ONLY

FOR INFORMATION ONLY: DO NOT MANUFACTURE PARTS TO THIS DRAWING

INDICATIONS IN ACCORDANCE WITH ISO 10110

FIRST ANGLE PROJECTION



ALL DIMS IN: mm

EO® Edmund Optics®

TITLE 40mm Dia x 160mm FL, YAG-BBAR Coated, Achromatic Lens

DWG NO 11732

SHEET SIZE A4 SHEET 3 OF 3