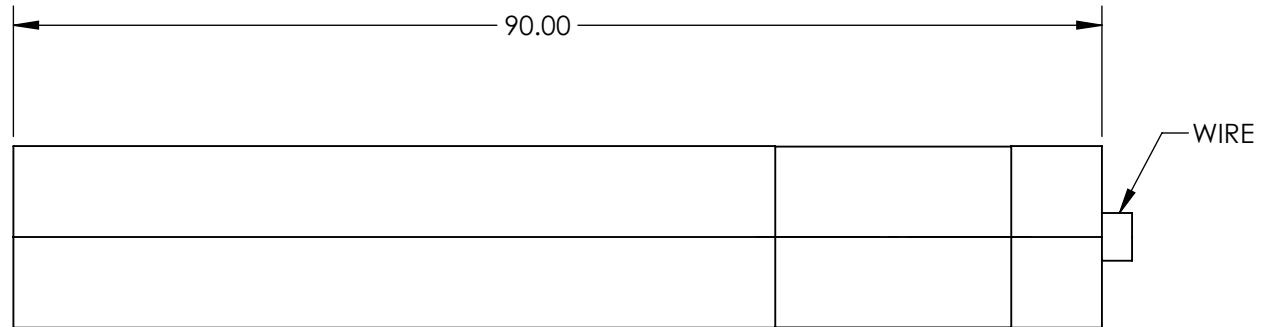
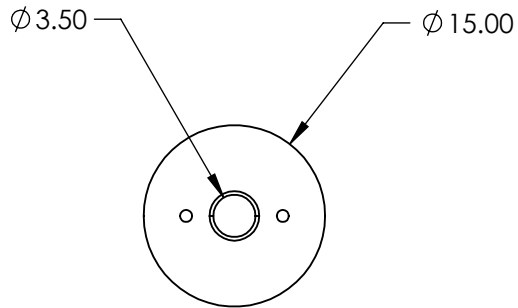
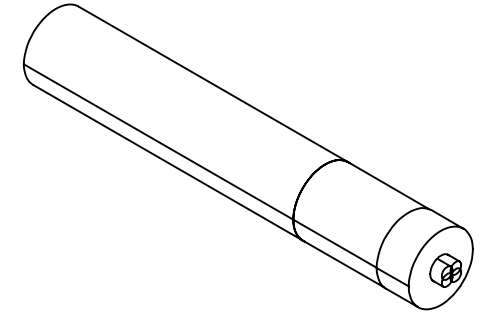


NOTES:

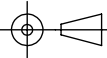
1. LASER CLASS: IIIb  
SPATIAL MODE: TEM00
2. BEAM DIAMETER(mm): 1.0 Typical  
BEAM DIVERGENCE(mrad): <1 Typical
3. MODULATION FREQUENCY: 0 - 10 kHz
4. OPERATING TEMPERATURE: 15 to 35 °C  
OPERATING VOLTAGE: 5.0 V
5. OUTPUT POWER: 10 mW
6. WAVELENGTH RANGE: 1064 ±1 nm



SPECIFICATIONS SUBJECT TO CHANGE WITHOUT NOTICE  
DIMENSIONS ARE FOR REFERENCE ONLY

**FOR INFORMATION ONLY:  
DO NOT MANUFACTURE  
PARTS TO THIS DRAWING**

**EO**® Edmund Optics®

THIRD ANGLE PROJECTION 		TITLE	10mW, 1064nm Fixed Focus DPSS Alignment Laser	
ALL DIMS IN	mm	DWG NO	37043	SHEET 1 OF 1