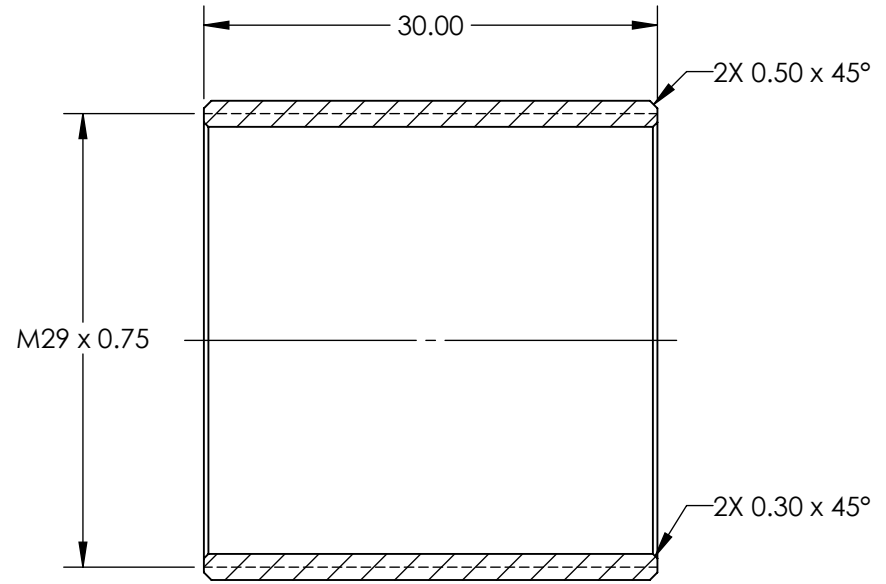
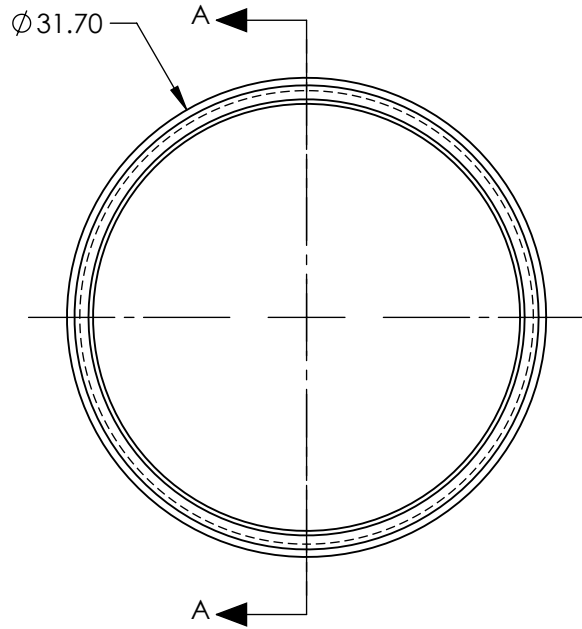


NOTES:

1. MATERIAL: BLACK MATTE ANODIZED ALUMINUM
2. RoHS: COMPLIANT

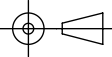


SECTION A-A

SPECIFICATIONS SUBJECT TO CHANGE WITHOUT NOTICE  
DIMENSIONS ARE FOR REFERENCE ONLY

**EO**® Edmund Optics®

**FOR INFORMATION ONLY:  
DO NOT MANUFACTURE  
PARTS TO THIS DRAWING**

THIRD ANGLE PROJECTION 		TITLE	32mm OD OUTER TUBE	
ALL DIMS IN	mm	DWG NO	37901	SHEET 1 OF 1