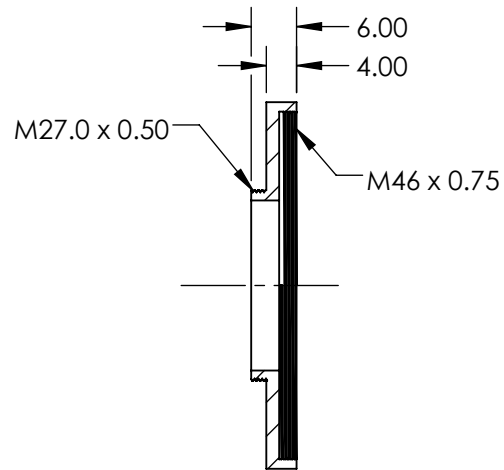
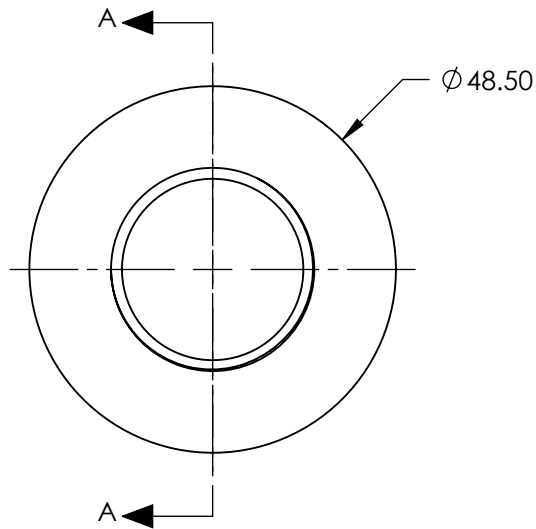
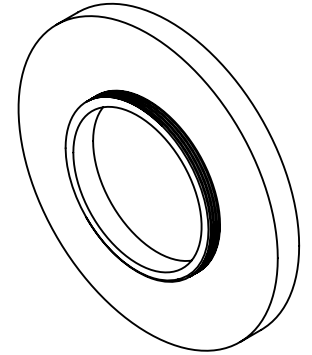


NOTES:

1. ROHS: COMPLIANT



SECTION A-A

SPECIFICATIONS SUBJECT TO CHANGE WITHOUT NOTICE  
DIMENSIONS ARE FOR REFERENCE ONLY

**FOR INFORMATION ONLY:  
DO NOT MANUFACTURE  
PARTS TO THIS DRAWING**

**EO**® Edmund Optics®

THIRD ANGLE PROJECTION 		TITLE	Step Adapter to M27.0 x 0.50 Filter Thread	
ALL DIMS IN	mm	DWG NO	66930	SHEET 1 OF 1