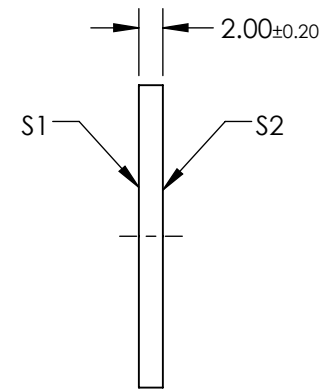
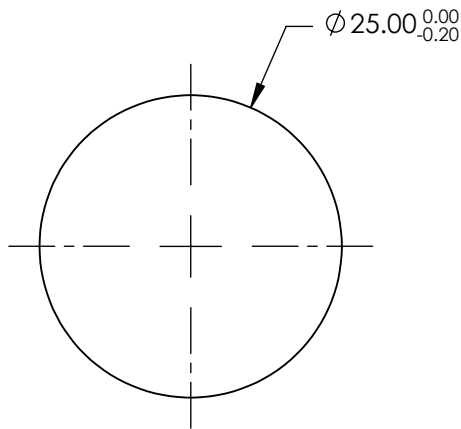


NOTES:

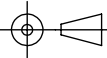
1. SUBSTRATE:  
B270
2. SURFACE S2 TO BE PARALLEL TO SURFACE S1 TO WITHIN <3 ARCMIN
3. COATING (APPLY ACROSS COATING APERTURE)  
S1 & S2: R(AVG) < 0.5% @ 400 - 700nm
4. RETARDANCE:  $\lambda/2 \pm 10\text{nm}$  @ 405nm
5. DESIGN WAVELENGTH: 405nm
6. CONSTRUCTION: Birefringent Polymer Stack
7. ROHS: COMPLIANT



SPECIFICATIONS SUBJECT TO CHANGE WITHOUT NOTICE  
DIMENSIONS ARE FOR REFERENCE ONLY

**FOR INFORMATION ONLY:  
DO NOT MANUFACTURE  
PARTS TO THIS DRAWING**

**EO**® Edmund Optics®

THIRD ANGLE PROJECTION 		TITLE	405nm, $\lambda/2$ Polymer Waveplate	
ALL DIMS IN	mm	DWG NO	91011	SHEET 1 OF 1