

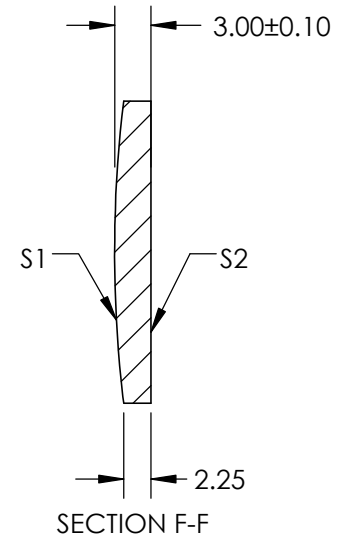
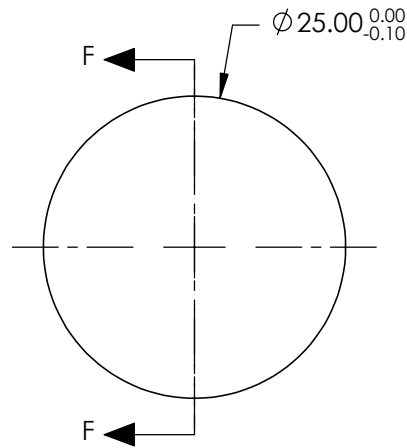
NOTES:

1. SUBSTRATE: GERMANIUM (GE)
2. COATING (APPLY ACROSS COATING APERTURE)

S1: R(avg) <3.0% @ 8 - 12µm

S2: R(avg) <3.0% @ 8 - 12µm

3. EDGES DIAMOND TURNED
4. CENTERING: <3 ARCMIN
5. RoHS COMPLIANT



**FOR INFORMATION ONLY:  
DO NOT MANUFACTURE  
PARTS TO THIS DRAWING**

	S1	S2
SHAPE	CONVEX	PLANO
RADIUS	105.14	∞
SURFACE QUALITY	60-40	60-40
CLEAR APERTURE	Ø24	Ø24
BEVEL	PROTECTIVE AS NEEDED	PROTECTIVE AS NEEDED

SPECIFICATIONS SUBJECT TO CHANGE WITHOUT NOTICE  
DIMENSIONS ARE FOR REFERENCE ONLY

EFL @ 10.6µm	35	 <b>Edmund Optics®</b>	
BFL @ 10.6µm	34.25		
THIRD ANGLE PROJECTION		TITLE	25mm DIA. X 35mm FL, 8 - 12µm COATED, GE PLANO-CONVEX LEN
ALL DIMS IN	mm	DWG NO	69663
			SHEET 1 OF 1