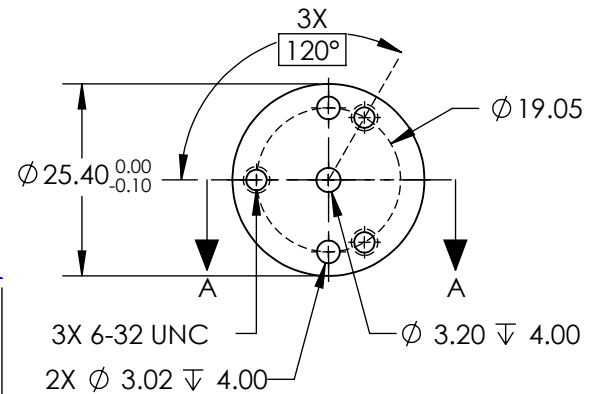
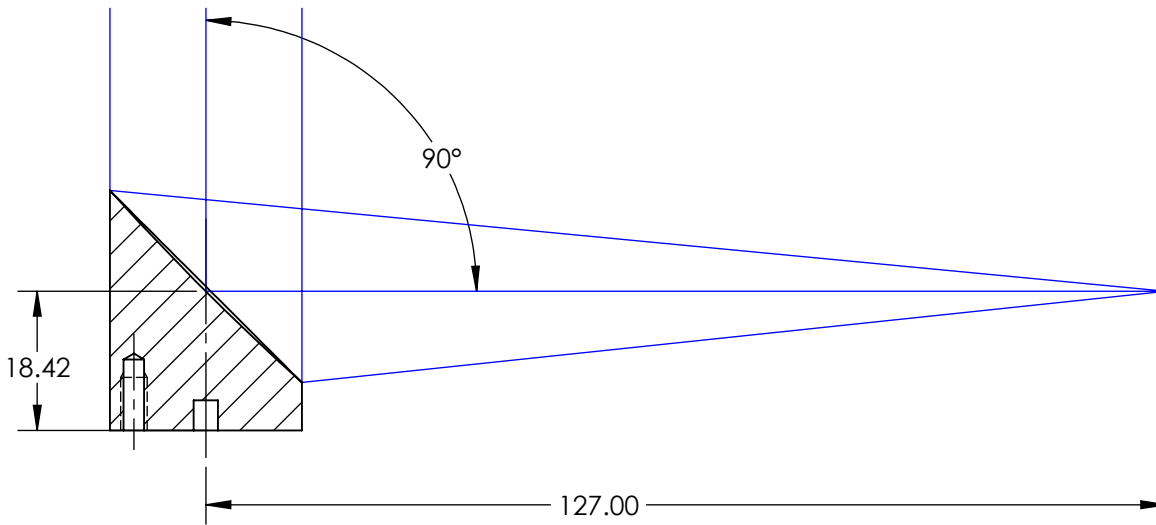
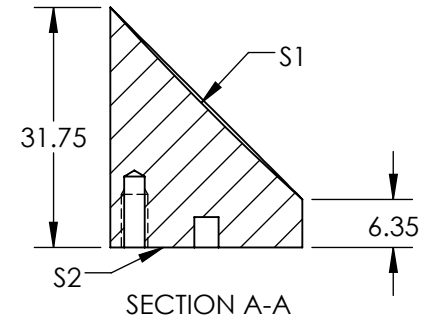
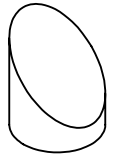


NOTES:

1. SUBSTRATE MATERIAL:
ALUMINUM
2. FINISH (EXCEPT SURFACE S1 & S2):
BLACK ANODIZED
3. COATING (APPLY ACROSS CLEAR APERTURE)
S1: PROTECTED GOLD
R(AVG) >94% @ 0.7-0.8 μ m
R(AVG) >97% @ 0.8-2.0 μ m
R(AVG) >98% @ 2-12 μ m

SURFACE ROUGHNESS: <50 Å RMS
4. FOCAL LENGTH TOLERANCE: \pm 1%
5. ROHS COMPLIANT

**FOR INFORMATION ONLY:
DO NOT MANUFACTURE
PARTS TO THIS DRAWING**



SPECIFICATIONS SUBJECT TO CHANGE WITHOUT NOTICE
DIMENSIONS ARE FOR REFERENCE ONLY

REV. A	S1
SHAPE	PARABOLIC
SURFACE FIGURE AT 632.8nm (RMS)	$\lambda/8$
CLEAR APERTURE	90%
BEVEL	PROTECTIVE AS NEEDED



ALL DIMS IN mm

EO® **Edmund Optics**®

TITLE

Ø25.4 X 127mm EFL, PROTECTED GOLD 50Å
OFF-AXIS PARABOLIC MIRROR

DWG NO

37245

SHEET
1 OF 1