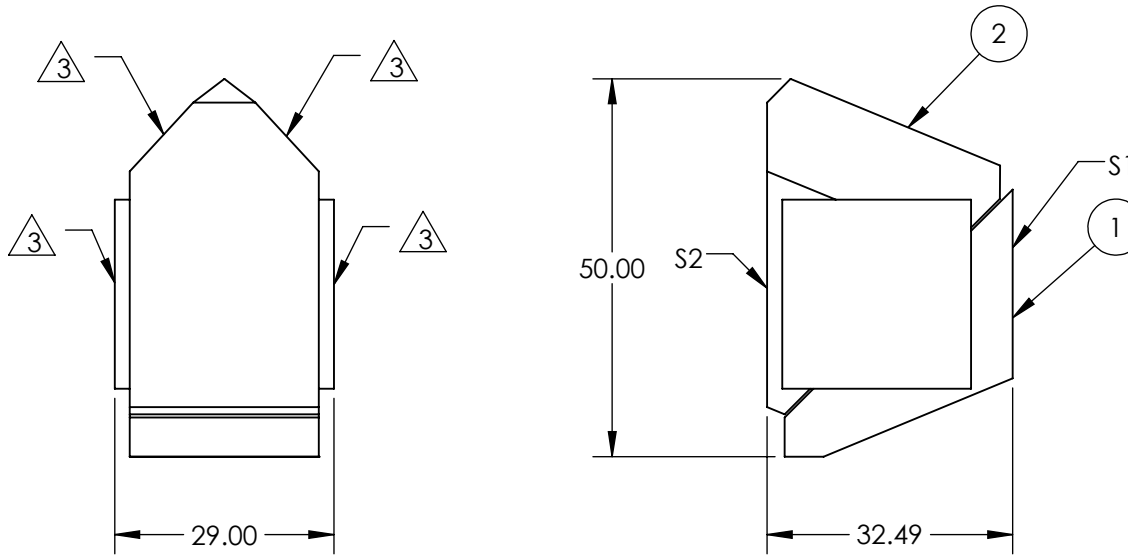
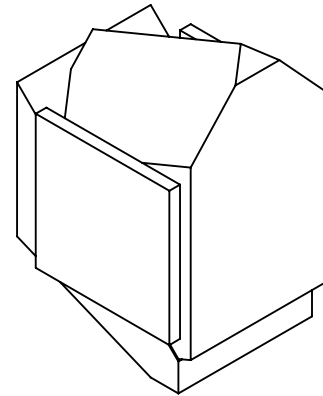


NOTES:

1. CENTERING TOLERANCE (AT 587.6nm):  
BEAM DEVIATION (HALF ANGLE): < 10.0 arcmin
2. POWER, IRREGULARITY, AND SURFACE QUALITY SPECIFICATIONS  
APPLY ACROSS CLEAR APERTURE

 OVERCOAT SURFACES USING INCONEL AND BLACK PAINT



**FOR INFORMATION ONLY:  
DO NOT MANUFACTURE  
PARTS TO THIS DRAWING**

SPECIFICATIONS SUBJECT TO CHANGE WITHOUT NOTICE  
DIMENSIONS ARE FOR REFERENCE ONLY

ITEM	QTY	PART NUMBER	Description
2	1	47260	SCHMIDT PRISM, 25mm
1	1	65590	PECHAN PRISM, 25mm

 **Edmund Optics®**



THIRD ANGLE  
PROJECTION

TITLE

25.0mm, SCHMIDT-PECHAN PRISM

ALL DIMS IN

mm

DWG NO

36039

SHEET  
1 OF 1

REV. A	S1	S2
SURFACE QUALITY	40-20	40-20
CLEAR APERTURE	24.00 x 24.00	1mm FROM EDGES