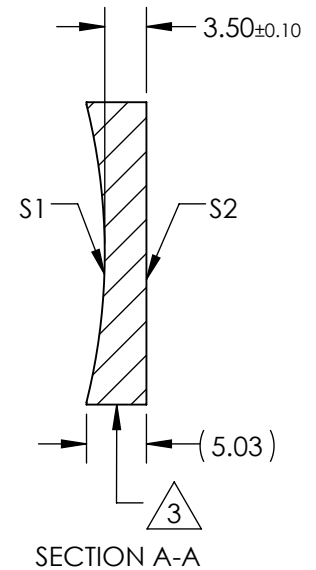
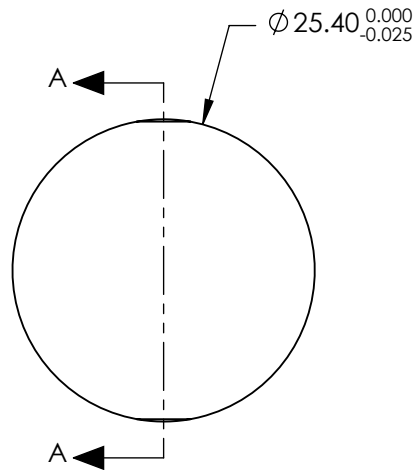


NOTES:

1. SUBSTRATE MATERIAL:  
N-BK7
2. COATING (APPLY ACROSS CLEAR APERTURE)  
S1 & S2:  
VIS 0  
R(AVG) ≤ 0.4% FROM 425-675nm @ 0° AOI
3. FINE GROUND SURFACE
4. POWER, IRREGULARITY, AND SURFACE QUALITY SPECIFICATIONS APPLY ACROSS CLEAR APERTURE
5. FOCAL LENGTH TOLERANCE: ±1%
6. PLANO AXIS WEDGE TOLERANCE: < 5 ARCMIN  
POWER AXIS WEDGE TOLERANCE: < 5 ARCMIN
7. RoHS COMPLIANT



**FOR INFORMATION ONLY:  
DO NOT MANUFACTURE  
PARTS TO THIS DRAWING**

| REV. A                  | S1                   | S2                   |
|-------------------------|----------------------|----------------------|
| SHAPE                   | CONCAVE              | PLANO                |
| RADIUS                  | 51.68                | ∞                    |
| SURFACE QUALITY         | 40 - 20              | 40 - 20              |
| CLEAR APERTURE          | Ø22.86               | Ø22.86               |
| COATING APERTURE        | Ø22.86               | Ø22.86               |
| POWER AT 632.8nm        | 1.5 WAVES PV         | 1.5 WAVES PV         |
| IRREGULARITY AT 632.8nm | 0.25 WAVE PV         | 0.25 WAVE PV         |
| BEVEL                   | PROTECTIVE AS NEEDED | PROTECTIVE AS NEEDED |

SPECIFICATIONS SUBJECT TO CHANGE WITHOUT NOTICE  
DIMENSIONS ARE FOR REFERENCE ONLY

|                        |             |        |                                       |              |
|------------------------|-------------|--------|---------------------------------------|--------------|
| EFL                    | (-100)mm    |        | <b>Edmund Optics®</b>                 |              |
| BFL                    | (-102.31)mm |        |                                       |              |
| THIRD ANGLE PROJECTION |             | TITLE  | LENS CYL SHAPING 25.4 x -100 FL VIS 0 |              |
| ALL DIMS IN            | mm          | DWG NO | 34665                                 | SHEET 1 OF 1 |