

NOTES:

1. SUBSTRATE MATERIAL:  
FUSED SILICA

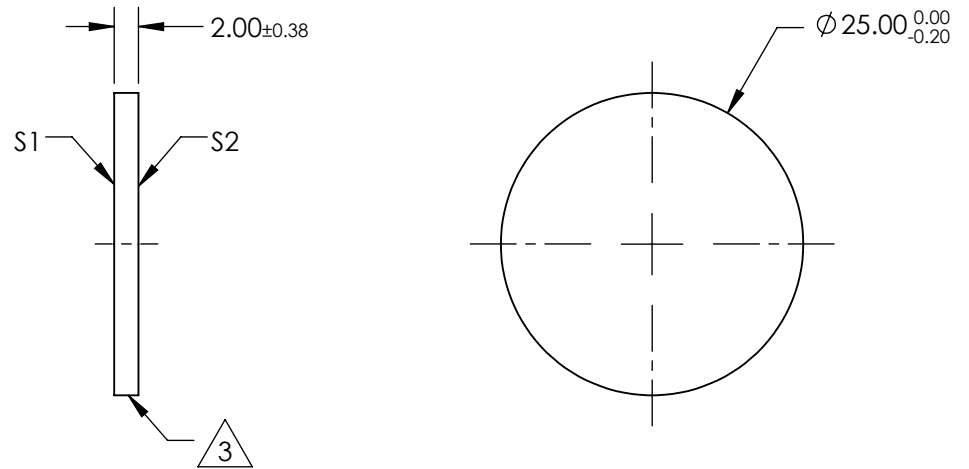
2. COATING (APPLY ACROSS CLEAR APERTURE)

S1: R(abs)= 50% ±5% @ 350nm, 45° AOI  
 R(avg)= 50% ±10% OVER 250 - 450nm, 45° AOI  
 T(abs)= 50% ±5% @ 350nm, 45° AOI  
 T(avg)= 50% ±10% OVER 250 - 450nm, 45° AOI

S2: BBAR (R(avg) <1%, R(abs) <2% OVER 250 - 450nm), 45° AOI

 EDGES FINE GROUND

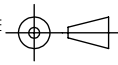
4. ROHS COMPLIANT




**FOR INFORMATION ONLY:  
DO NOT MANUFACTURE  
PARTS TO THIS DRAWING**

SPECIFICATIONS SUBJECT TO CHANGE WITHOUT NOTICE  
DIMENSIONS ARE FOR REFERENCE ONLY

REV. A	S1	S2
SHAPE	PLANO	PLANO
CLEAR APERTURE	Ø21.25	Ø21.25
SURFACE QUALITY	60-40	60-40
SURFACE FLATNESS	1λ	1λ
BEVEL	PROTECTED AS NEEDED	PROTECTED AS NEEDED

THIRD ANGLE PROJECTION 

ALL DIMS IN mm

 **Edmund Optics®**

TITLE: Ø25mm, 50R/50T, UV PLATE BEAMSPLITTER

DWG NO: 48190

SHEET 1 OF 1