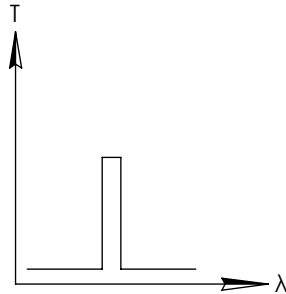
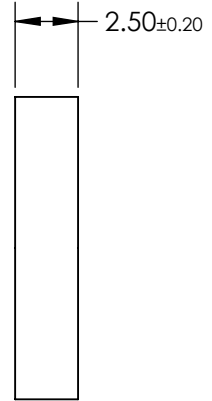
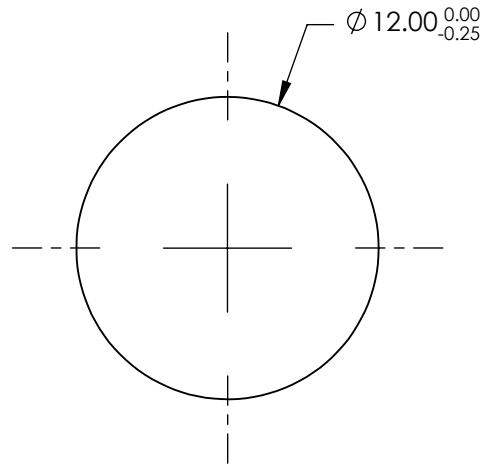
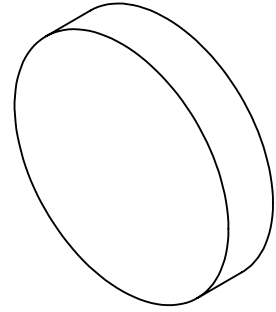


**FOR INFORMATION ONLY:  
DO NOT MANUFACTURE  
PARTS TO THIS DRAWING**



BANDPASS FILTER

SPECIFICATIONS SUBJECT TO CHANGE WITHOUT NOTICE  
DIMENSIONS ARE FOR REFERENCE ONLY

	VALUE
SHAPE	PLANO
CENTER WAVELENGTH (nm)	545
FULL WIDTH HALF MAX (FWHM) (nm)	47
SURFACE QUALITY	80-50
COATING TYPE	Uncoated
BEVEL	PROTECTIVE AS NEEDED



TITLE	HOYA G545 (VIS) 12mm Dia., Colored Glass Bandpass Filter		
DWG NO	34439	SHEET	1 OF 1

ALL DIMS IN mm