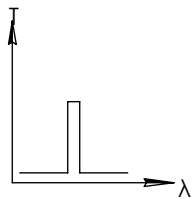
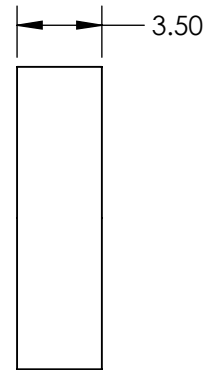
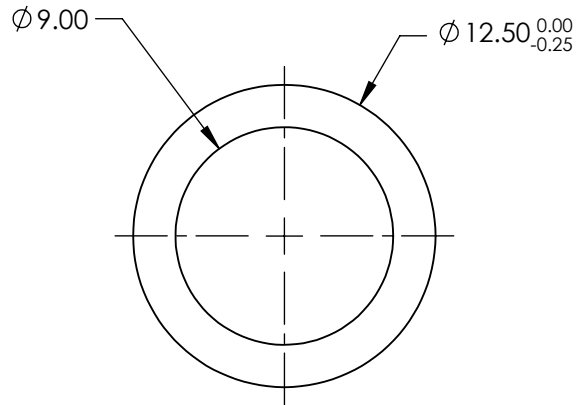
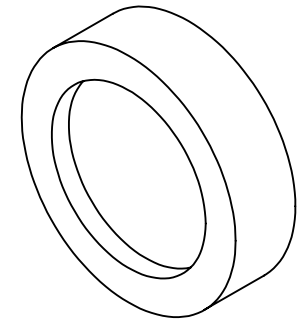


**FOR INFORMATION ONLY:
DO NOT MANUFACTURE
PARTS TO THIS DRAWING**



BANDPASS FILTER

	VALUE
OPTICAL DENSITY	≥4.0
CENTER WAVELENGTH (CWL)	228 ±3 nm
FULL WIDTH HALF MAX (FWHM)	25 ±15 nm
MINIMUM TRANSMISSION	>20 %
BLOCKING	200 - 10000nmnm
SURFACE QUALITY	80-50
CONSTRUCTION	MOUNTED IN BLACK ANODIZED RING
COATING TYPE	TRADITIONAL COATED

SPECIFICATIONS SUBJECT TO CHANGE WITHOUT NOTICE
DIMENSIONS ARE FOR REFERENCE ONLY



ALL DIMS IN

mm

TITLE

Ø12.5mm, 228nm x 25nm, MOUNTED
BANDPASS FILTER

DWG NO

68336

SHEET
1 OF 1