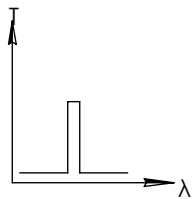
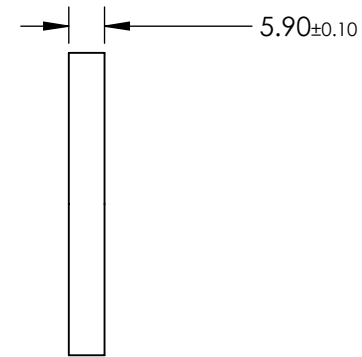
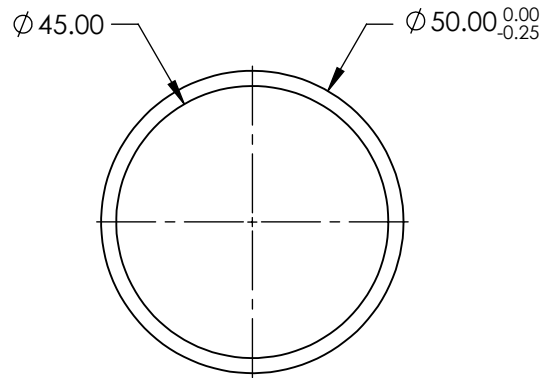
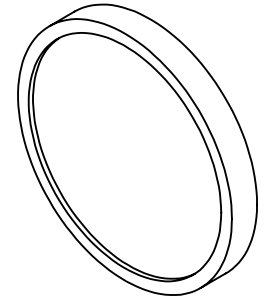


**FOR INFORMATION ONLY:  
DO NOT MANUFACTURE  
PARTS TO THIS DRAWING**



BANDPASS FILTER

SPECIFICATIONS SUBJECT TO CHANGE WITHOUT NOTICE  
DIMENSIONS ARE FOR REFERENCE ONLY

	VALUE
OPTICAL DENSITY	≥4.0
CENTER WAVELENGTH (CWL)	750 ±5 nm
FULL WIDTH HALF MAX (FWHM)	40 ±5 nm
MINIMUM TRANSMISSION	>40 %
BLOCKING	200 - Far IR
SURFACE QUALITY	80-50
CONSTRUCTION	MOUNTED IN BLACK ANODIZED RING
COATING TYPE	TRADITIONAL COATED



TITLE	Ø50mm, 750nm x 40nm, MOUNTED BANDPASS FILTER		
DWG NO	67910	SHEET 1 OF 1	

ALL DIMS IN

mm