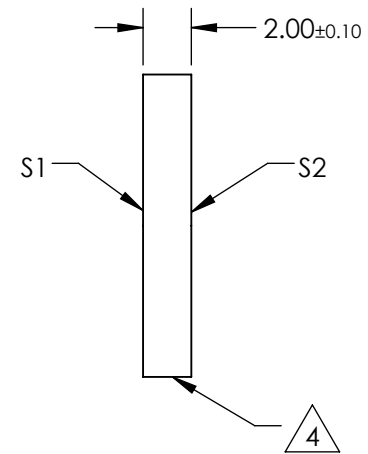
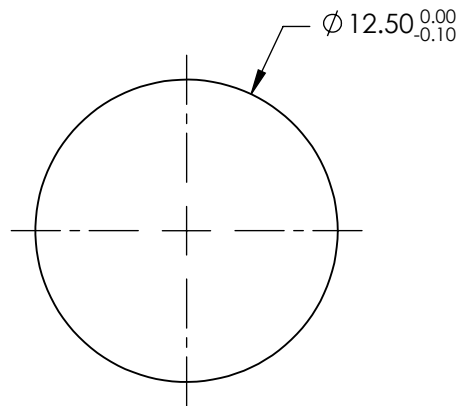
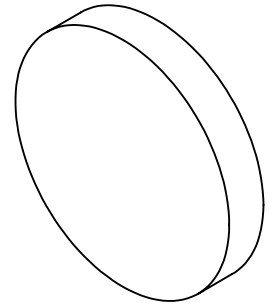


NOTES:

1. SUBSTRATE:  
Zinc Sulfide Multispectral
2. SURFACE S2 TO BE PARALLEL WITH S1 TO <1 ARCMIN
3. COATING (APPLY ACROSS CLEAR APERTURE)  
S1 & S2: NONE

4. FINE GRIND SURFACE

5. RoHS COMPLIANT



**FOR INFORMATION ONLY:  
DO NOT MANUFACTURE  
PARTS TO THIS DRAWING**

SPECIFICATIONS SUBJECT TO CHANGE WITHOUT NOTICE  
DIMENSIONS ARE FOR REFERENCE ONLY

	S1	S2
SHAPE	PLANO	PLANO
SURFACE QUALITY	60-40	60-40
SURFACE FLATNESS	$\lambda/10 @ 10.6\mu\text{m}$	$\lambda/10 @ 10.6\mu\text{m}$
BEVEL	PROTECTIVE AS NEEDED	PROTECTIVE AS NEEDED

THIRD ANGLE PROJECTION

ALL DIMS IN mm

**EO**® Edmund Optics®

TITLE

12.5mm Diameter Uncoated, Zinc Sulfide  
Multispectral Window

DWG NO

66200

SHEET  
1 OF 1