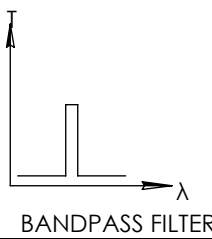
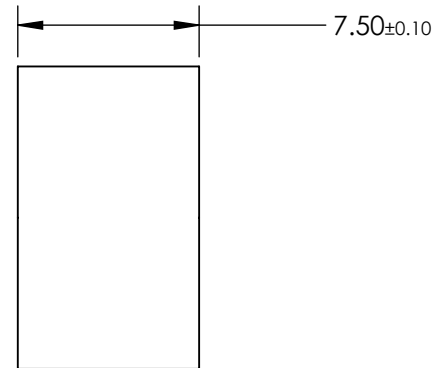
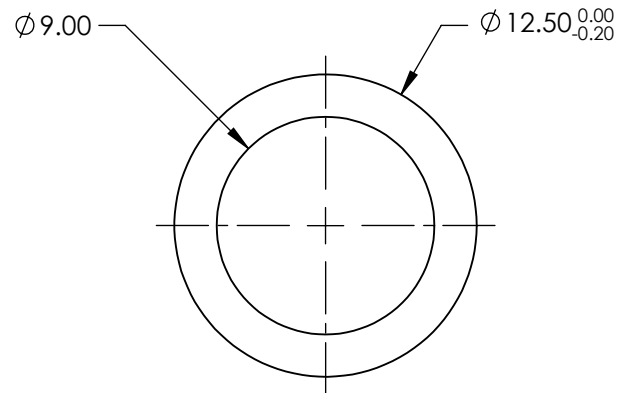
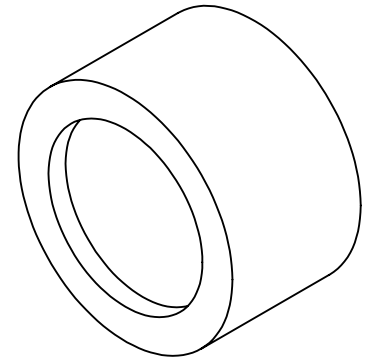


**FOR INFORMATION ONLY:
DO NOT MANUFACTURE
PARTS TO THIS DRAWING**



SPECIFICATIONS SUBJECT TO CHANGE WITHOUT NOTICE
DIMENSIONS ARE FOR REFERENCE ONLY

	VALUE
OPTICAL DENSITY	≥ 4.0
CENTER WAVELENGTH (CWL)	1300 ± 2.5 nm
FULL WIDTH HALF MAX (FWHM)	12 ± 2 nm
MINIMUM TRANSMISSION	> 70 %
BLOCKING	200 - 1500nm
SURFACE QUALITY	80-50
CONSTRUCTION	MOUNTED IN BLACK ANODIZED RING
COATING TYPE	TRADITIONAL COATED



THIRD ANGLE PROJECTION		TITLE	$\phi 12.5$ mm, 1300nm x 10nm, MOUNTED BANDPASS FILTER	
ALL DIMS IN	mm	DWG NO	65774	SHEET 1 OF 1