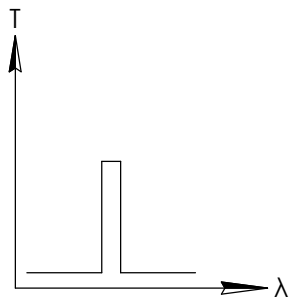
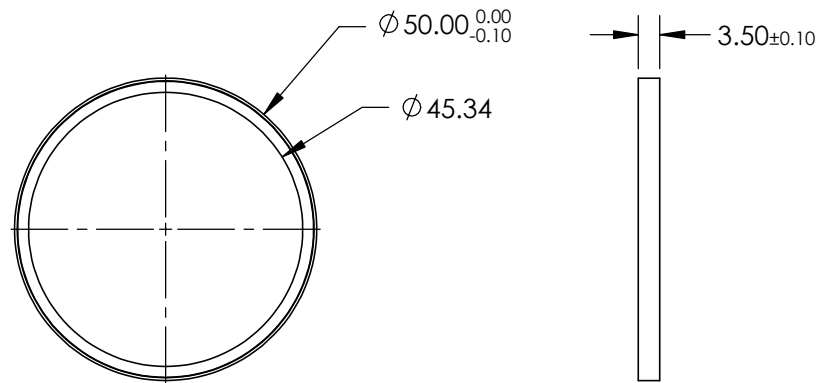
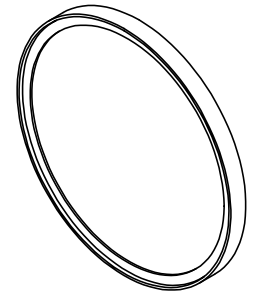


**FOR INFORMATION ONLY:
DO NOT MANUFACTURE
PARTS TO THIS DRAWING**

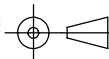


BANDPASS FILTER

SPECIFICATIONS SUBJECT TO CHANGE WITHOUT NOTICE
DIMENSIONS ARE FOR REFERENCE ONLY

REV. A	VALUE
CENTER WAVELENGTH (CWL)	464 542 & 639 ± 2nm
MINIMUM TRANSMISSION	>90%
BLOCKING	250 - 1100nm
CONSTRUCTION	MOUNTED IN BLACK ANODIZED RING
COATING TYPE	HARD COATED
DURABILITY	MIL-C-48497A

THIRD ANGLE
PROJECTION



ALL DIMS IN

mm

EO® Edmund Optics®

TITLE

Ø50mm, 464 542 & 639nm, TRI-BAND FILTER

DWG NO

87254

SHEET
1 OF 1