

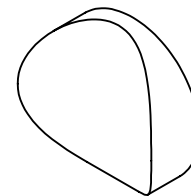
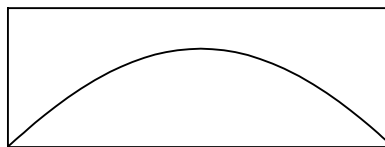
NOTES:

1. ALLOWABLE OPTICAL MATERIAL:

SCHOTT: N-SF5 673/323

2. CENTERING TOLERANCE (AT 587.6nm):
IMAGE RUNOUT: 0.1mm

3. COATING (APPLY ACROSS CLEAR APERTURE)
S1: NONE
S2: NONE



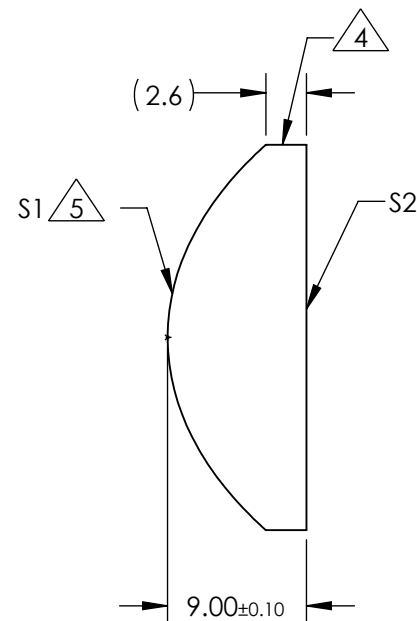
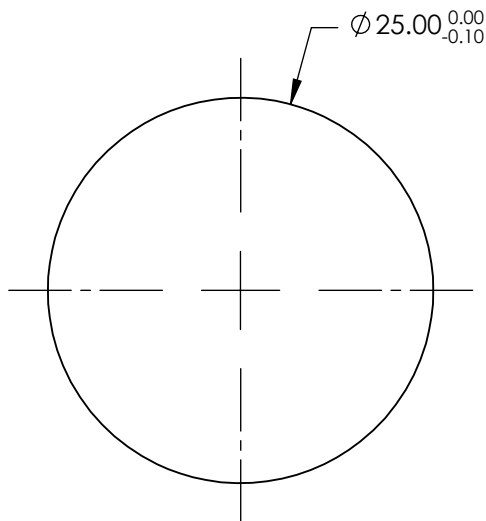
4. FINE GRIND SURFACE

5. ASPHERIC SURFACE:

$$Z(Y) = \frac{C \cdot Y^2}{1 + \sqrt{1 - (1+k) \cdot C^2 \cdot Y^2}} + D \cdot Y^2 + E \cdot Y^4 + F \cdot Y^6 + G \cdot Y^8 + H \cdot Y^{10} + J \cdot Y^{12} + L \cdot Y^{14}$$


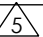
C = -0.074327338
k = -0.950248
D = 0
E = -1.9248277E-05
F = -1.5748184E-08
G = 4.4970665E-11
H = 0
J = 0
L = 0

SURFACE ACCURACY: ≤ 1 μm RMS



**FOR INFORMATION ONLY:
DO NOT MANUFACTURE
PARTS TO THIS DRAWING**

SPECIFICATIONS SUBJECT TO CHANGE WITHOUT NOTICE
DIMENSIONS ARE FOR REFERENCE ONLY

	S1	S2					
SHAPE	CONVEX	PLANO	EFL (AT 587.6nm)	20.0	 Edmund Optics®		
RADIUS	13.454±0.100 	INFINITY	BFL (AT 587.6nm)	14.6			TITLE
SURFACE QUALITY	60 - 40	60 - 40	ALL DIMS IN	mm	DWG NO	86032	SHEET 1 OF 1
CLEAR APERTURE	∅ 22.50	∅ 22.50					
BEVEL MAX FACE	0.25 x 45°	0.25 x 45°					