

NOTES:

1. ALLOWABLE OPTICAL MATERIAL:  
SCHOTT: N-SF5 673/323
2. CENTERING TOLERANCE (AT 587.6nm):  
IMAGE RUNOUT: 0.1mm
3. COATING (APPLY ACROSS CLEAR APERTURE)  
S1: NONE  
S2: NONE

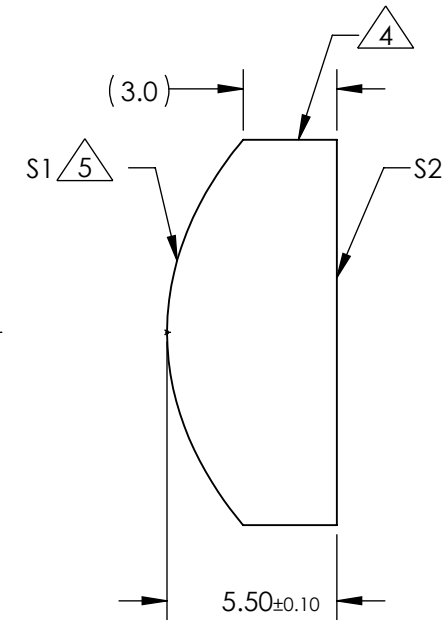
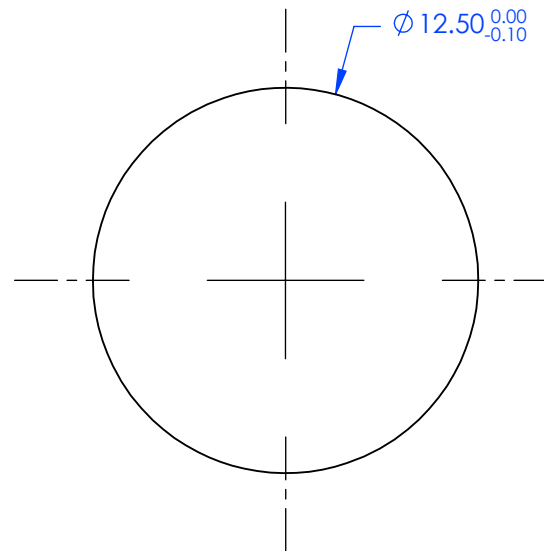
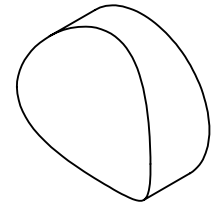
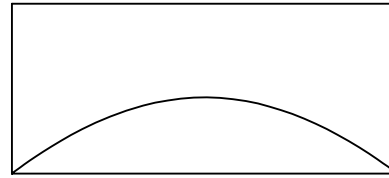
4. FINE GRIND SURFACE

5. ASPHERIC SURFACE:

$$Z(Y) = \frac{C*Y^2}{1+\text{SQRT}[1-(1+k)*C^2*Y^2]} + D*Y^2 + E*Y^4 + F*Y^6 + G*Y^8 + H*Y^{10} + J*Y^{12} + L*Y^{14}$$

C = -0.11892  
 k = -1.001478  
 D = 0  
 E = -8.9984572E-05  
 F = -1.420161E-07  
 G = 9.5839342E-10  
 H = 0  
 J = 0  
 L = 0

SURFACE ACCURACY: ≤ 1 μm RMS



**FOR INFORMATION ONLY:  
 DO NOT MANUFACTURE  
 PARTS TO THIS DRAWING**

SPECIFICATIONS SUBJECT TO CHANGE WITHOUT NOTICE  
 DIMENSIONS ARE FOR REFERENCE ONLY

	S1	S2		
SHAPE	CONVEX	PLANO	EFL (AT 587.6nm)	12.5
RADIUS	8.409±0.100 <span style="border: 1px solid black; padding: 2px;">5</span>	INFINITY	BFL (AT 587.6nm)	9.2
SURFACE QUALITY	60 - 40	60 - 40	TITLE	12.5mm Dia x 12.5mm FL Acylinder Lens, Uncoated
CLEAR APERTURE	Ø 11.25	Ø 11.25	ALL DIMS IN	mm
BEVEL MAX FACE	0.25 x 45°	0.25 x 45°	DWG NO	86031

