

NOTES:

1. ALLOWABLE OPTICAL MATERIAL:

OPTICAL GRADE SILICON

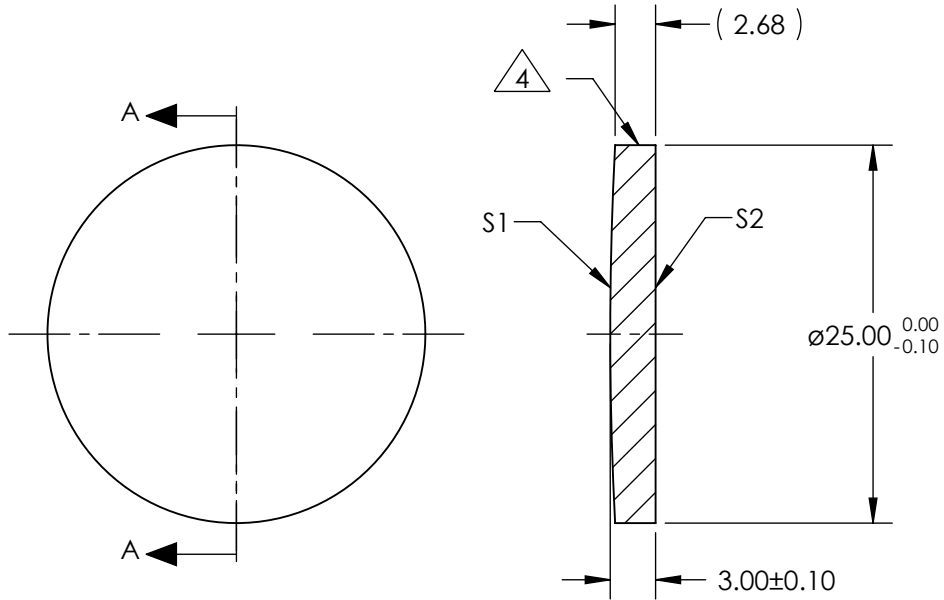
2. CENTERING TOLERANCE: <3 ARCMIN

3. COATING (APPLY ACROSS CLEAR APERTURE)

S1: BBAR MULTILAYER FOR R(AVG) < 2% FROM 3.0 TO 5.0 MICRONS


S2: BBAR MULTILAYER FOR R(AVG) < 2% FROM 3.0 TO 5.0 MICRONS

4. FINE GRIND SURFACE



SECTION A-A

**FOR INFORMATION ONLY:  
DO NOT MANUFACTURE PARTS TO THIS DRAWING**

	S1	S2	EFL (AT 10.6 microns)	100.00	 <b>Edmund Optics®</b>		
SHAPE	CONVEX	PLANO	BFL (AT 10.6 microns)	99.12			TITLE
RADIUS	241.760	INFINITY	ALL DIMS IN	mm	DWG NO	69688	
SURFACE QUALITY	60 - 40	60 - 40					SHEET 1 OF 1
CLEAR APERTURE	∅24.00	∅24.00					
BEVEL MAX FACE	0.25 x 45°	0.25 x 45°					