

NOTES:

1. ALLOWABLE OPTICAL MATERIAL:

OPTICAL GRADE SILICON

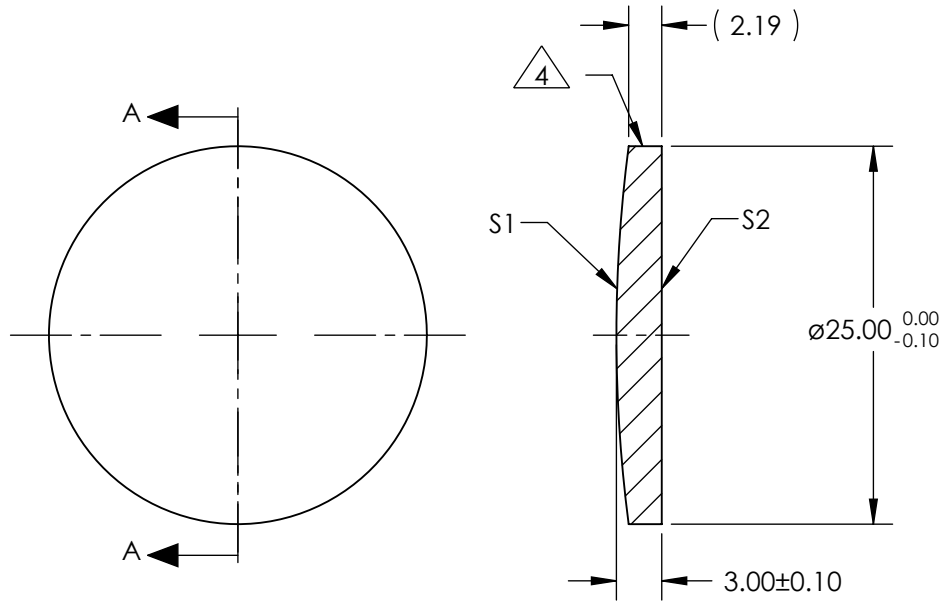
2. CENTERING TOLERANCE: <3 ARCMIN

3. COATING (APPLY ACROSS CLEAR APERTURE)

S1: BBAR MULTILAYER FOR R(AVG) < 2% FROM 3.0 TO 5.0 MICRONS


S2: BBAR MULTILAYER FOR R(AVG) < 2% FROM 3.0 TO 5.0 MICRONS

4. FINE GRIND SURFACE



SECTION A-A

**FOR INFORMATION ONLY:
DO NOT MANUFACTURE PARTS TO THIS DRAWING**

	S1	S2	EFL (AT 10.6 microns)	40.00	 Edmund Optics®	
SHAPE	CONVEX	PLANO	BFL (AT 10.6 microns)	39.12		
RADIUS	96.704	INFINITY	ALL DIMS IN	mm	DWG NO	69685
SURFACE QUALITY	60 - 40	60 - 40				
CLEAR APERTURE	∅24.00	∅24.00				
BEVEL MAX FACE	0.25 x 45°	0.25 x 45°				SHEET 1 OF 1