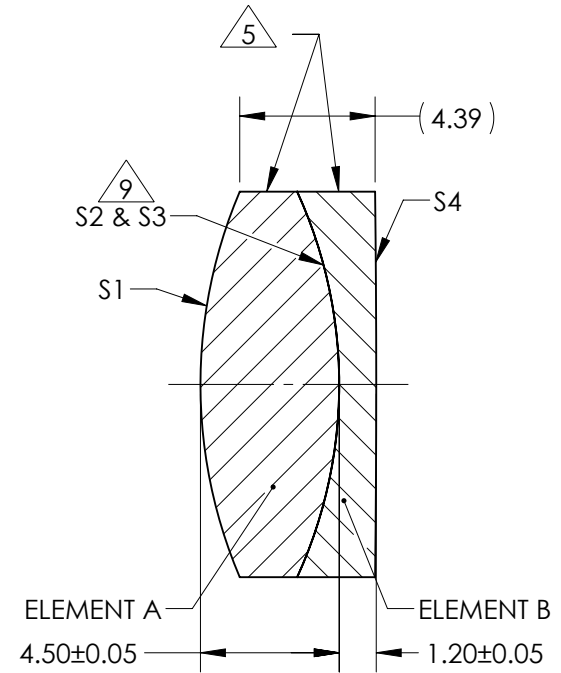
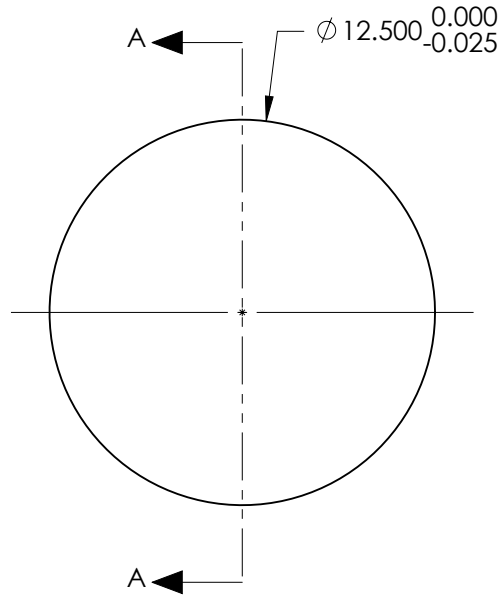


NOTES:

- SUBSTRATE:  
ELEMENT A: N-SSK8 618/498  
ELEMENT B: N-SF10 728/284
- ROHS COMPLIANT
- CENTERING TOLERANCE (AT 587.6nm):  
BEAM DEVIATION (HALF ANGLE): <1 ARCMIN
- COATING (APPLY ACROSS COATING APERTURE)  
  
S1 & S4: VIS-NIR  
R(ABS) ≤ 0.25% @ 880nm @ 0° AOI  
R(AVG) ≤ 1.25% FROM 400 - 870nm @ 0° AOI  
R(AVG) ≤ 1.25% FROM 890 - 1000nm @ 0° AOI

S2 & S3: NONE

- 5 FINE GRIND SURFACE
- 6. POWER, IRREGULARITY, AND SURFACE QUALITY SPECIFICATIONS APPLY ACROSS CLEAR APERTURE
- 7. FOCAL LENGTH (EFL): 30.00mm±1%  
BACK FOCAL LENGTH (BFL): 26.12mm
- 8. PROTECTIVE BEVEL AS NEEDED
- 9. DESIGN WAVELENGTH: 587.6nm
- 9 ELEMENTS TO BE CEMENTED WITH NORLAND OPTICAL ADHESIVE NOA61



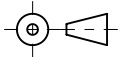
SECTION A-A

**FOR INFORMATION ONLY:  
DO NOT MANUFACTURE  
PARTS TO THIS DRAWING**

| ELEMENT TITLE           | SPECIFICATIONS AFTER CEMENTING |            |            |            |
|-------------------------|--------------------------------|------------|------------|------------|
|                         | ELEMENT A                      |            | ELEMENT B  |            |
| SURFACE                 | S1                             | S2         | S3         | S4         |
| SHAPE                   | CONVEX                         | CONVEX     | CONCAVE    | CONVEX     |
| RADIUS                  | 15.97                          | 15.00      | 15.00      | 528.23     |
| SURFACE QUALITY         | 40 - 20                        | 40 - 20    | 40 - 20    | 40 - 20    |
| MIN CLEAR APERTURE      | Ø 11.50                        | Ø 11.50    | Ø 11.50    | Ø 11.50    |
| MIN COATING APERTURE    | Ø 11.50                        | N/A        | N/A        | Ø 11.50    |
| POWER AT 632.8nm        | 3.00 RINGS                     | 3.00 RINGS | 3.00 RINGS | 3.00 RINGS |
| IRREGULARITY AT 632.8nm | 0.50 RINGS                     | 0.50 RINGS | 0.50 RINGS | 0.50 RINGS |

SPECIFICATIONS SUBJECT TO CHANGE WITHOUT NOTICE  
DIMENSIONS ARE FOR REFERENCE ONLY

**EO**® Edmund Optics®

THIRD ANGLE PROJECTION 

ALL DIMS IN mm

|        |  |              |
|--------|--|--------------|
| TITLE  | 12.5mm Dia. x 30mm FL, VIS-NIR Coated, Achromatic Lens |              |
| DWG NO | 49324  | SHEET 1 OF 1 |